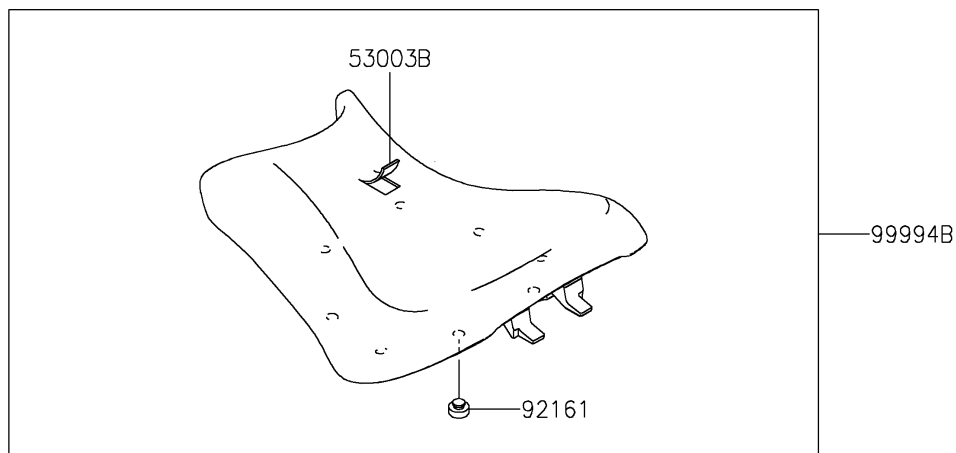
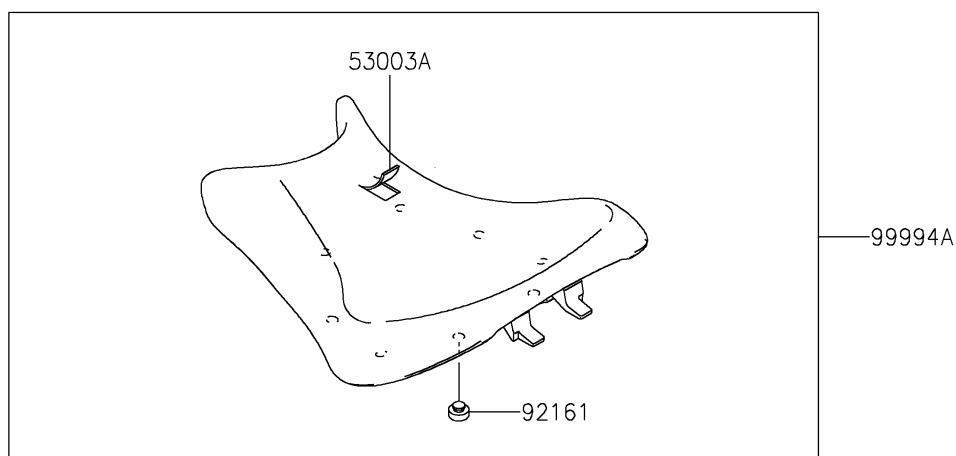
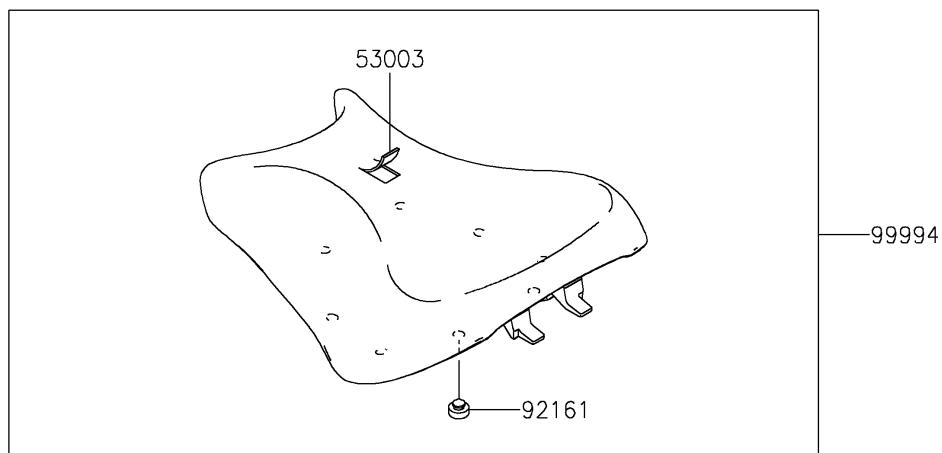


# 2025 Eliminator ABS

## PARTS DIAGRAM

Accessory(Seat)

F2910B



# 2025 Eliminator ABS

## PARTS LIST

Accessory(Seat)

**ITEM NAME**

**PART NUMBER**

**QUANTITY**

---