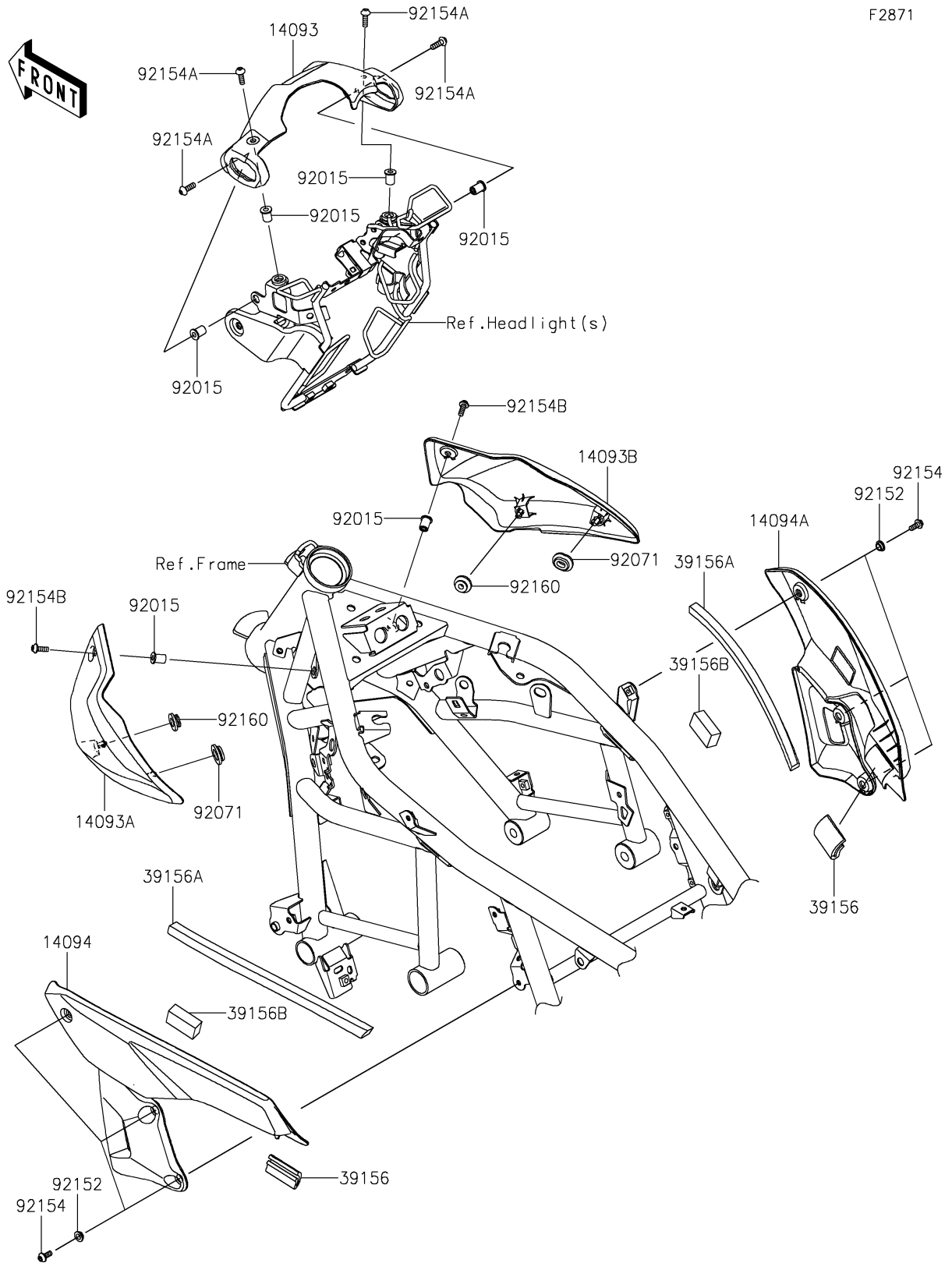


# 2024 ELIMINATOR® ABS

## PARTS DIAGRAM

### Cowling



F2871

# 2024 ELIMINATOR<sup>®</sup> ABS

## PARTS LIST

### Cowling



ITEM NAME	PART NUMBER	QUANTITY
-----------	-------------	----------

---