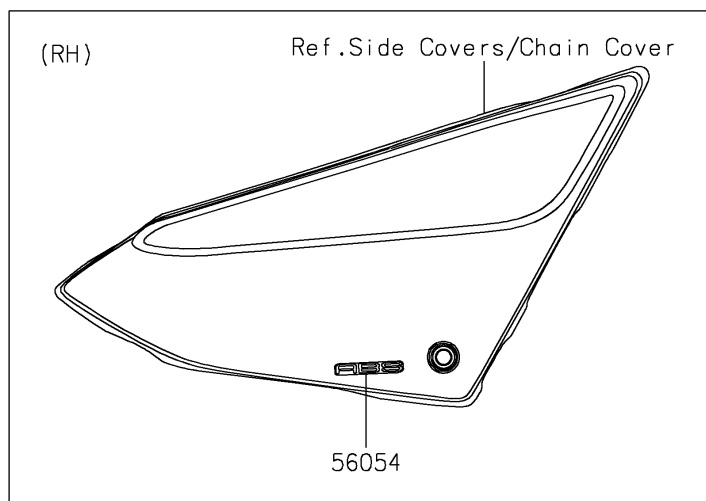
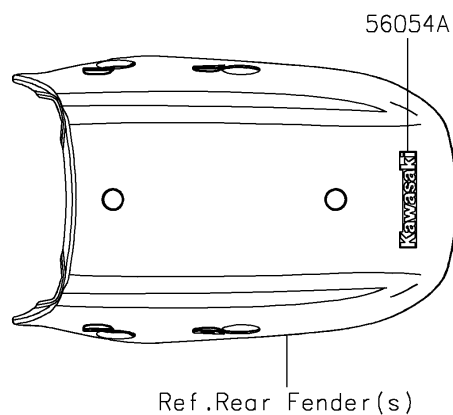
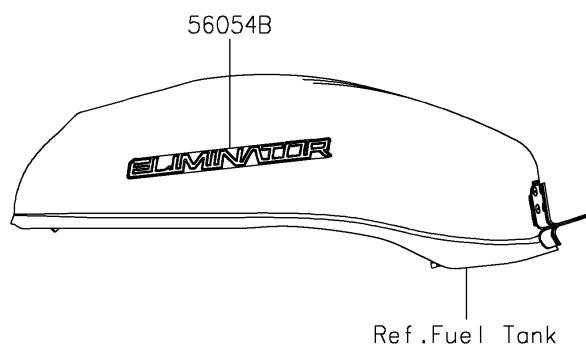


2026 ELIMINATOR® ABS

PARTS DIAGRAM

Decals(Khaki)(ASFNN/ASFNL)

F2861D



2026 ELIMINATOR® ABS

PARTS LIST

Decals(Khaki)(ASFNN/ASFNL)

ITEM NAME

PART NUMBER

QUANTITY
