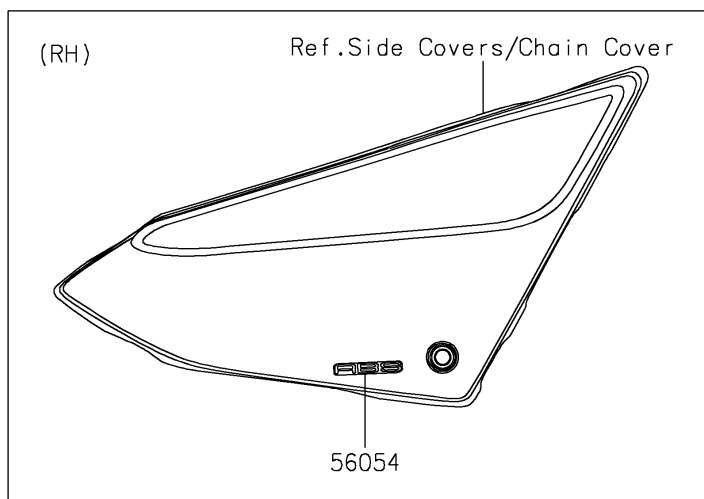
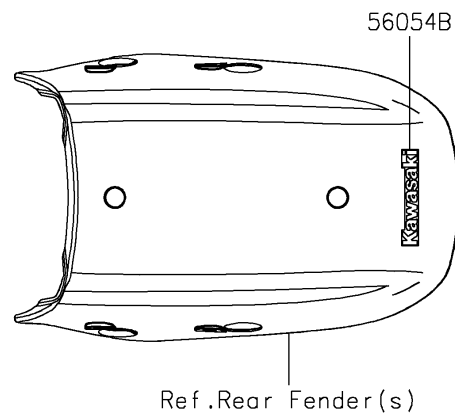
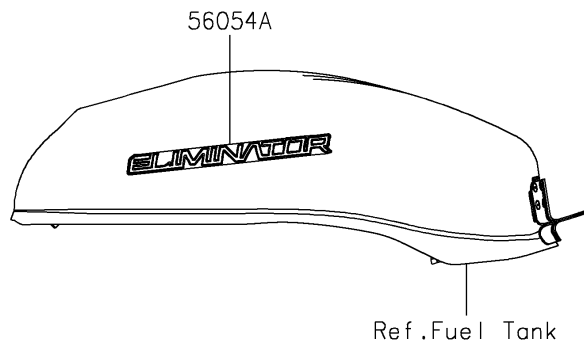


2024 ELIMINATOR® ABS

PARTS DIAGRAM

Decals(Gray)(ARFNN/ARSNL)

F2861B



2024 ELIMINATOR® ABS

PARTS LIST

Decals(Gray)(ARFNN/ARSNL)

ITEM NAME

PART NUMBER

QUANTITY
