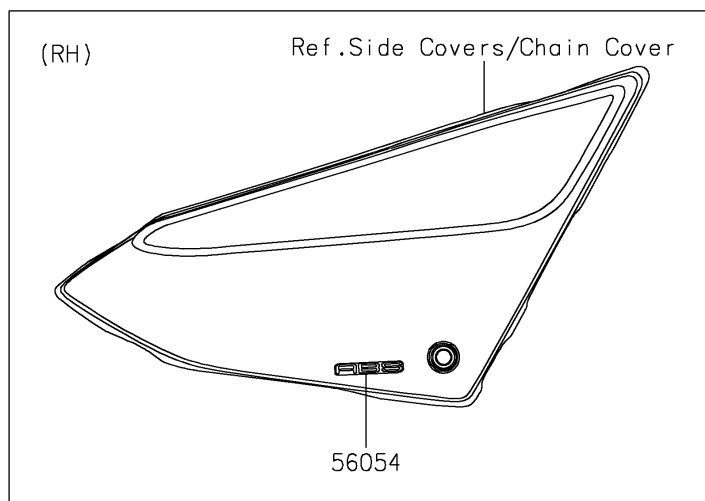
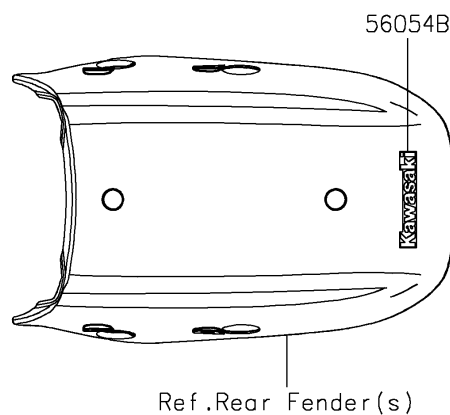
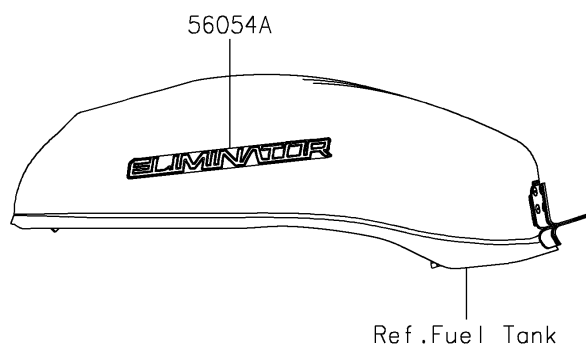


# 2024 ELIMINATOR® ABS

## PARTS DIAGRAM

Decals(White)(ARFNN/ARSNL)

F2861A



# 2024 ELIMINATOR<sup>®</sup> ABS

## PARTS LIST

Decals(White)(ARFNN/ARSNL)

**ITEM NAME**

**PART NUMBER**

**QUANTITY**

---