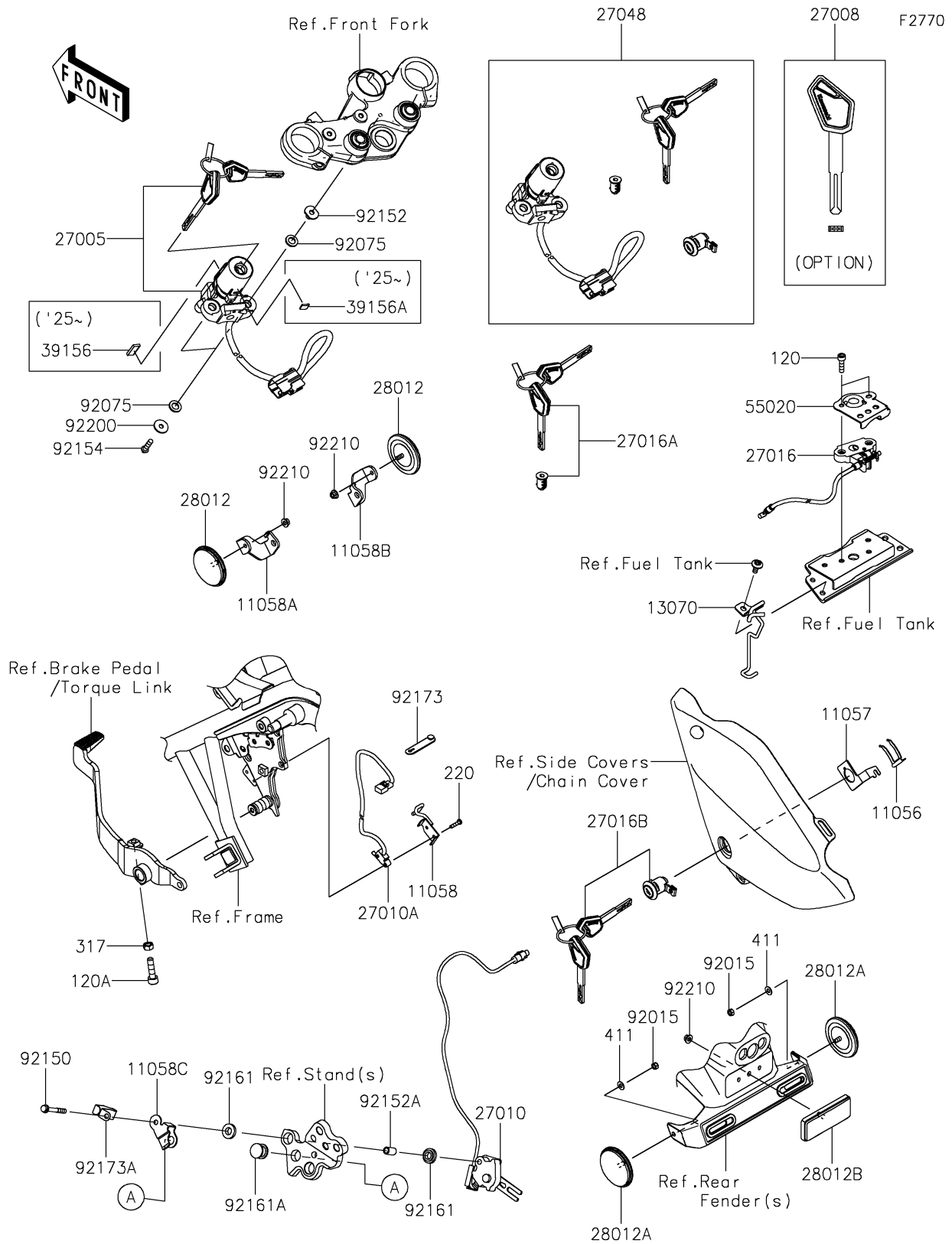


# 2025 Eliminator ABS

## PARTS DIAGRAM

### Ignition Switch/Locks/Reflectors



# 2025 Eliminator ABS

## PARTS LIST

Ignition Switch/Locks/Reflectors

**ITEM NAME**

**PART NUMBER**

**QUANTITY**

---