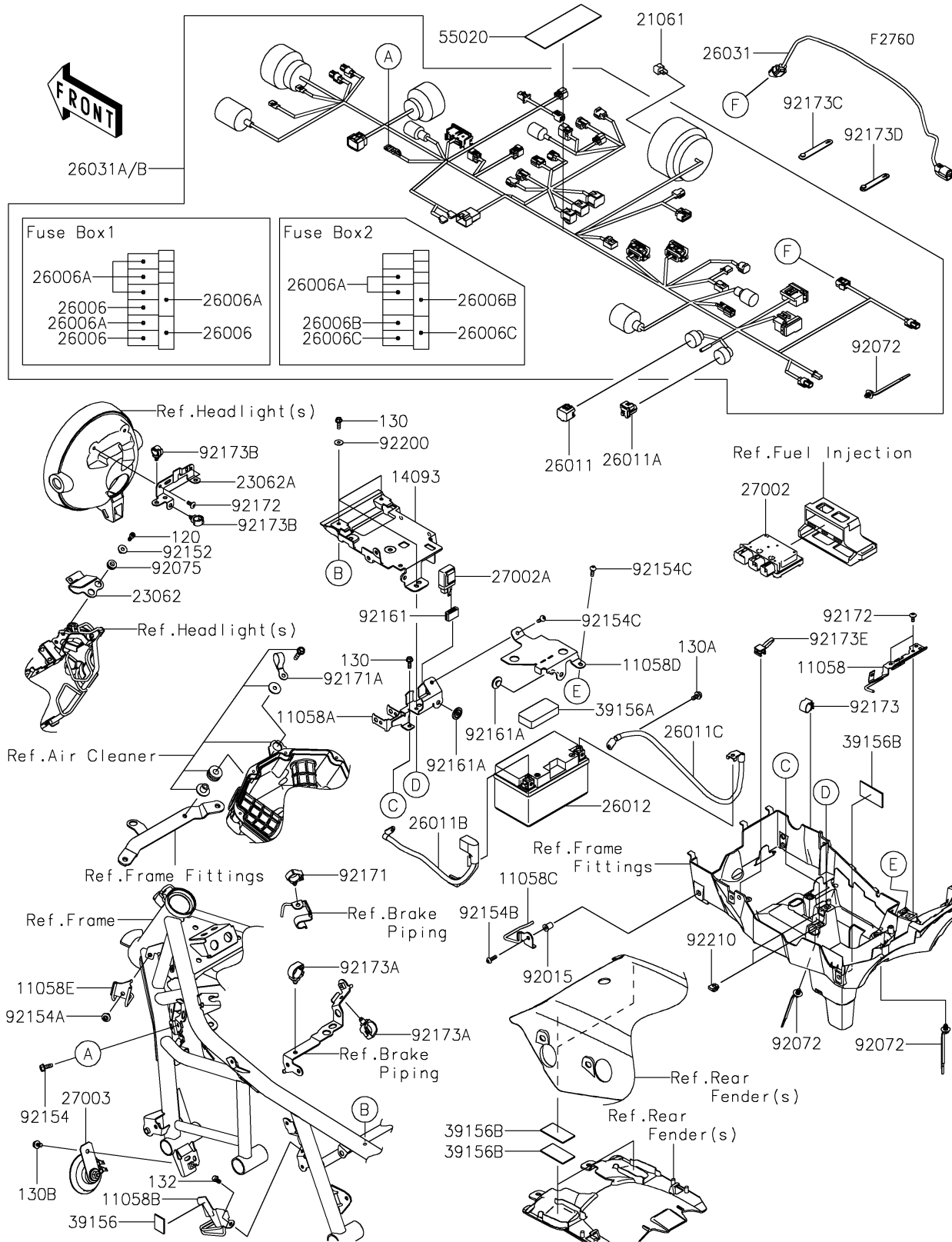


2026 ELIMINATOR® ABS

PARTS DIAGRAM

Chassis Electrical Equipment



2026 ELIMINATOR® ABS

PARTS LIST

Chassis Electrical Equipment

ITEM NAME

PART NUMBER

QUANTITY
