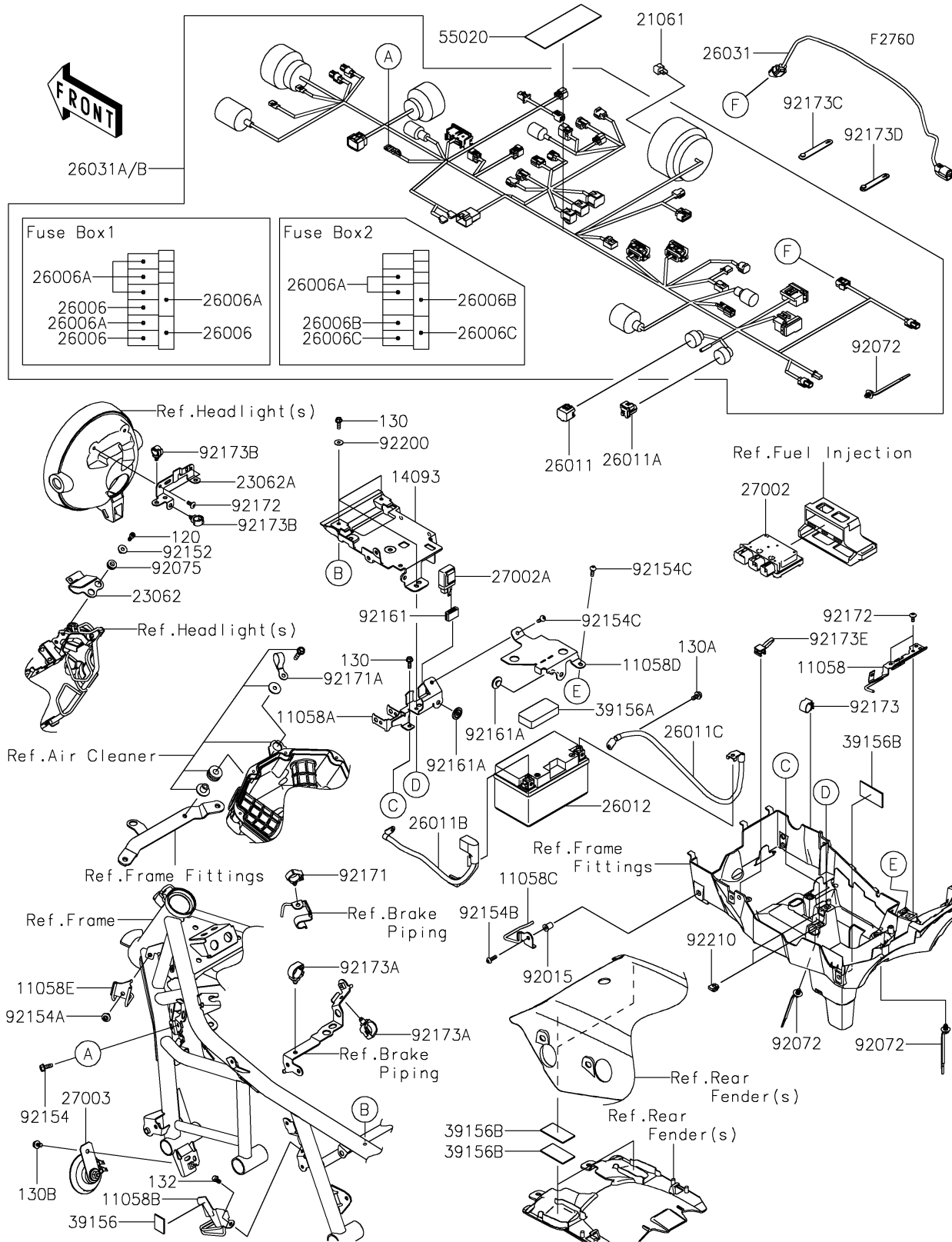


2024 ELIMINATOR® ABS

PARTS DIAGRAM

Chassis Electrical Equipment



2024 ELIMINATOR® ABS

PARTS LIST

Chassis Electrical Equipment



ITEM NAME	PART NUMBER	QUANTITY
-----------	-------------	----------
