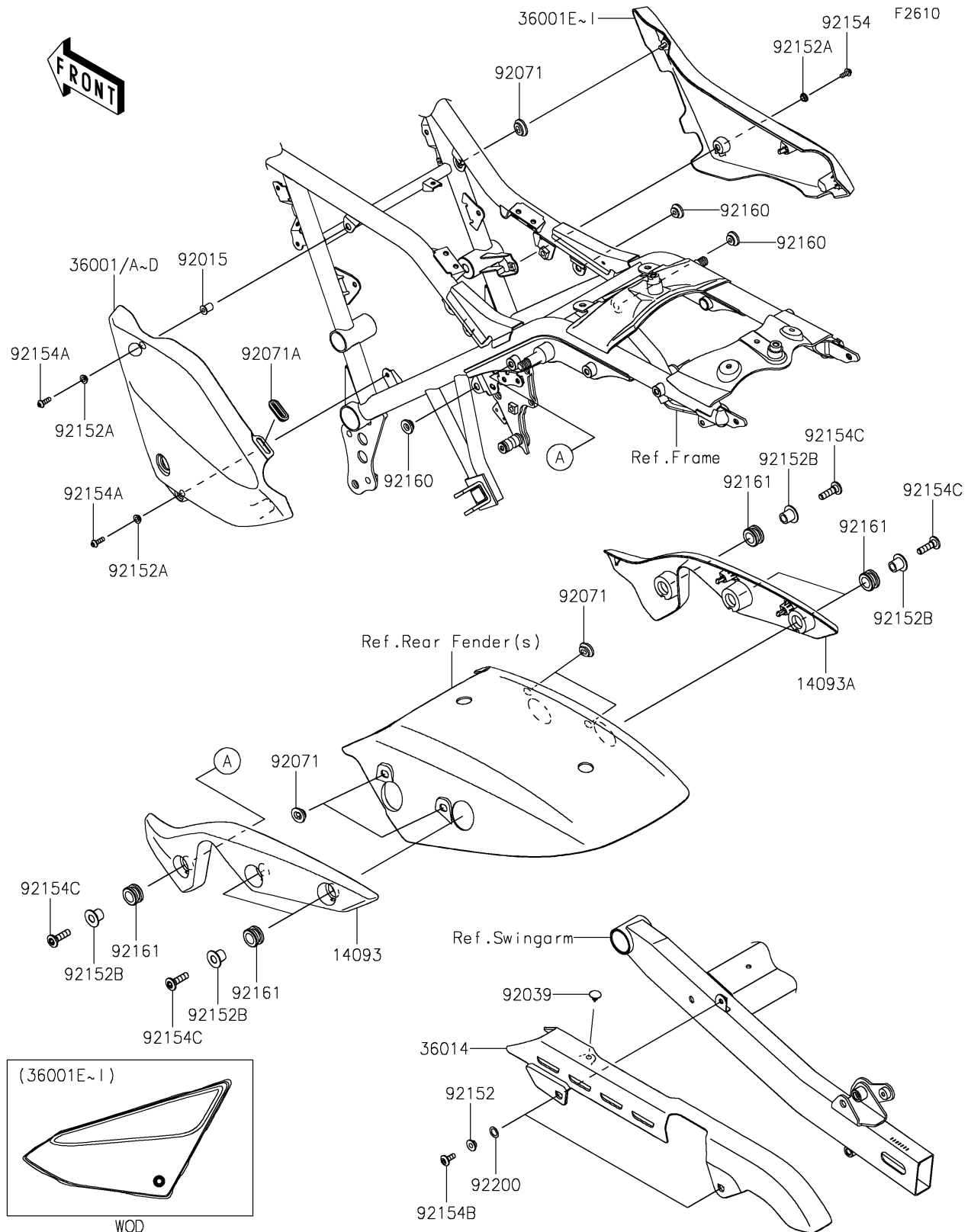


# 2024 ELIMINATOR® ABS

## PARTS DIAGRAM

### Side Covers/Chain Cover



# 2024 ELIMINATOR® ABS

## PARTS LIST

Side Covers/Chain Cover

**ITEM NAME**

**PART NUMBER**

**QUANTITY**

---