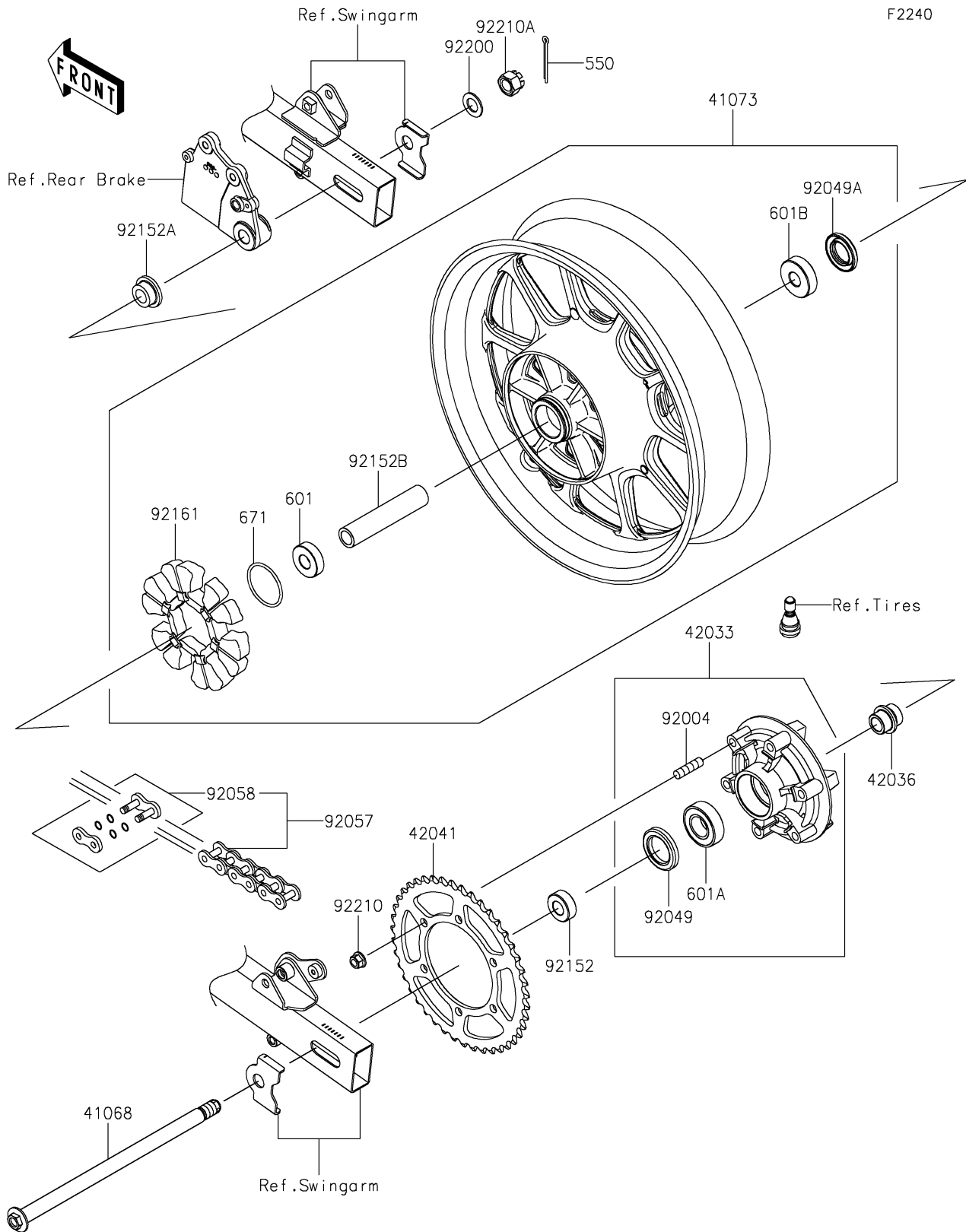


# 2026 ELIMINATOR® ABS

## PARTS DIAGRAM

### Rear Wheel/Chain



# 2026 ELIMINATOR® ABS

## PARTS LIST

### Rear Wheel/Chain

**ITEM NAME**

**PART NUMBER**

**QUANTITY**

---