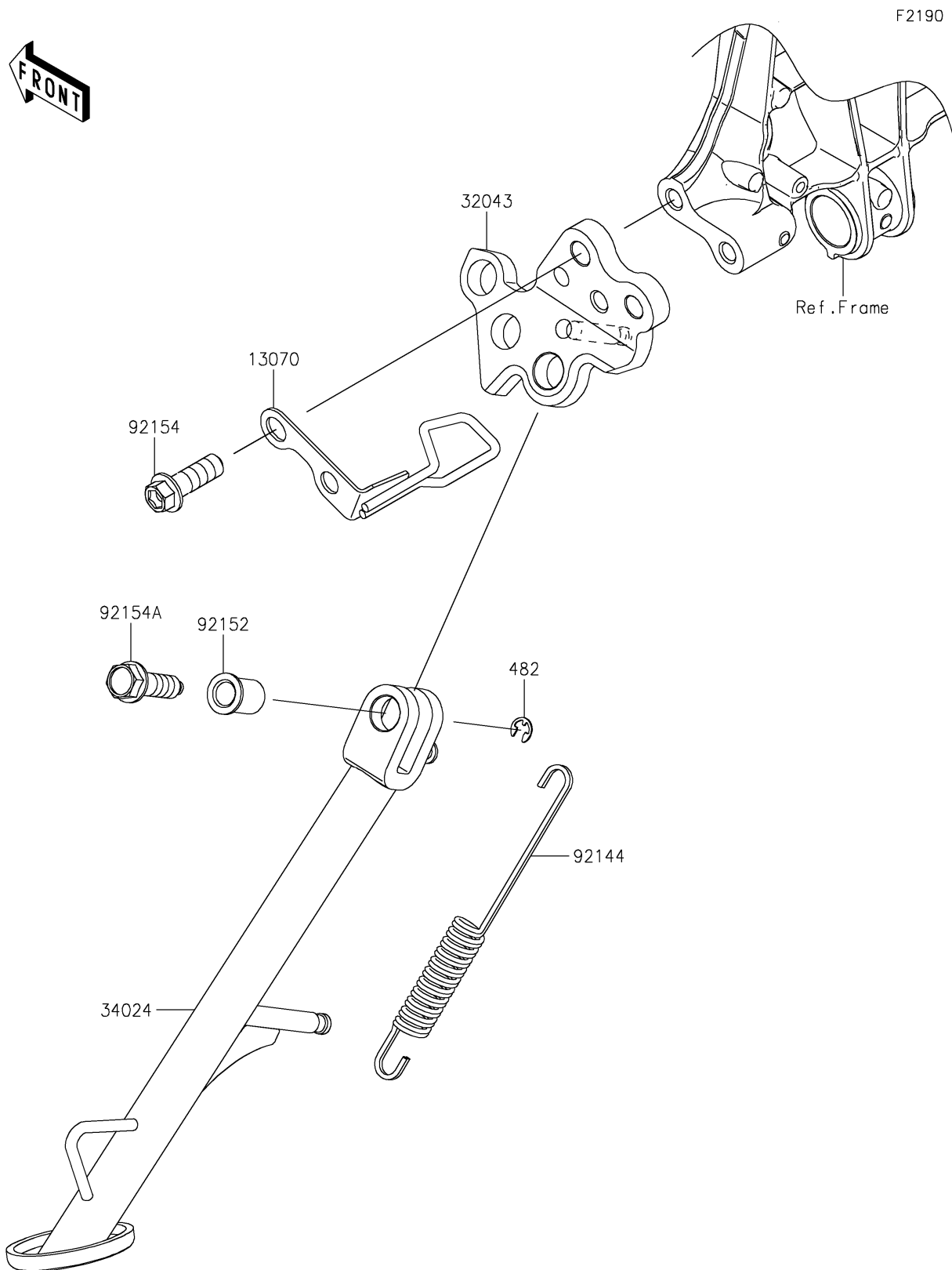


2025 Eliminator ABS

PARTS DIAGRAM

Stand(s)



2025 Eliminator ABS

PARTS LIST

Stand(s)

ITEM NAME

PART NUMBER

QUANTITY
