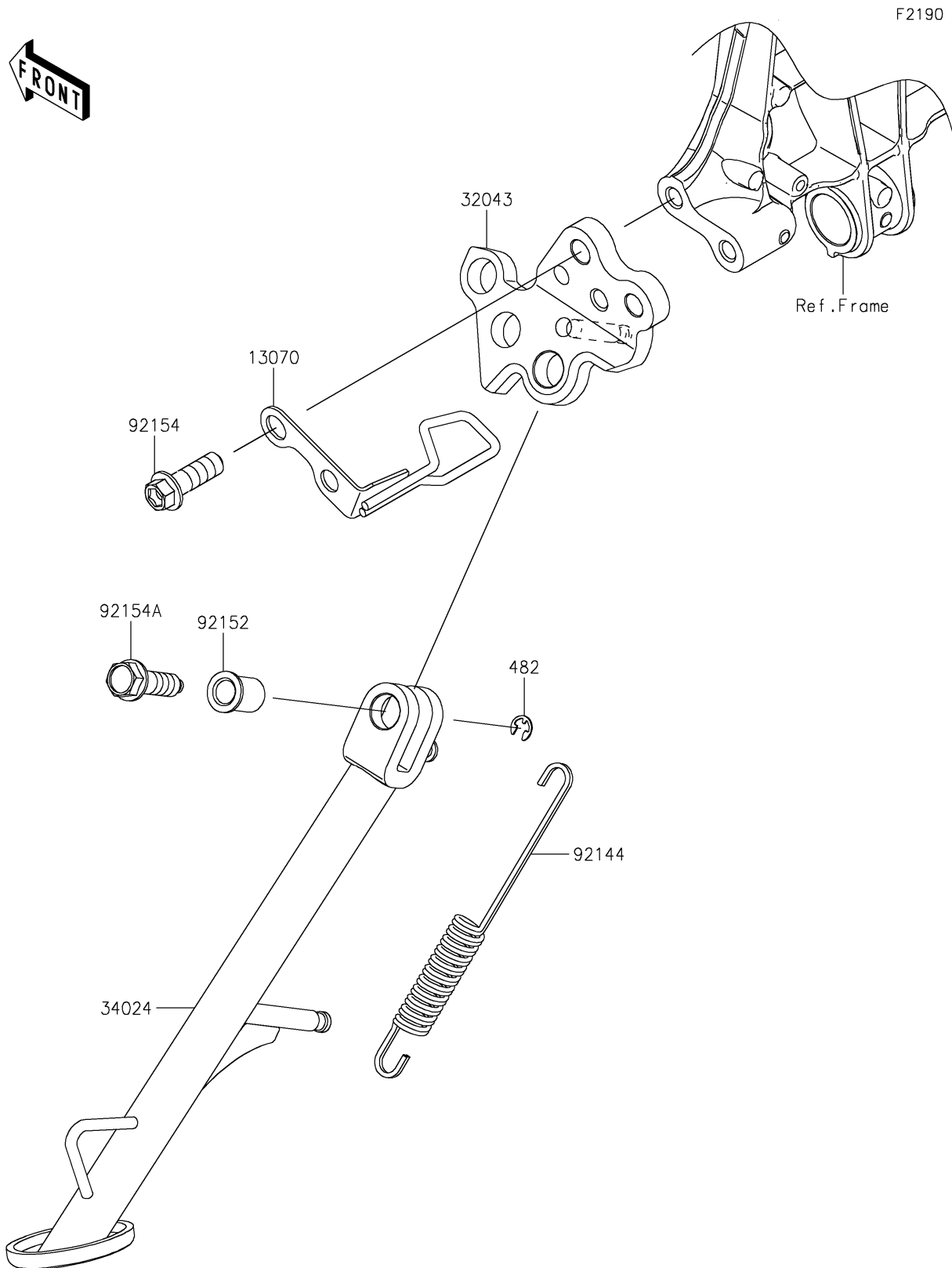


# 2024 ELIMINATOR® ABS

## PARTS DIAGRAM

Stand(s)



# 2024 ELIMINATOR<sup>®</sup> ABS

## PARTS LIST

Stand(s)

**ITEM NAME**

**PART NUMBER**

**QUANTITY**

---