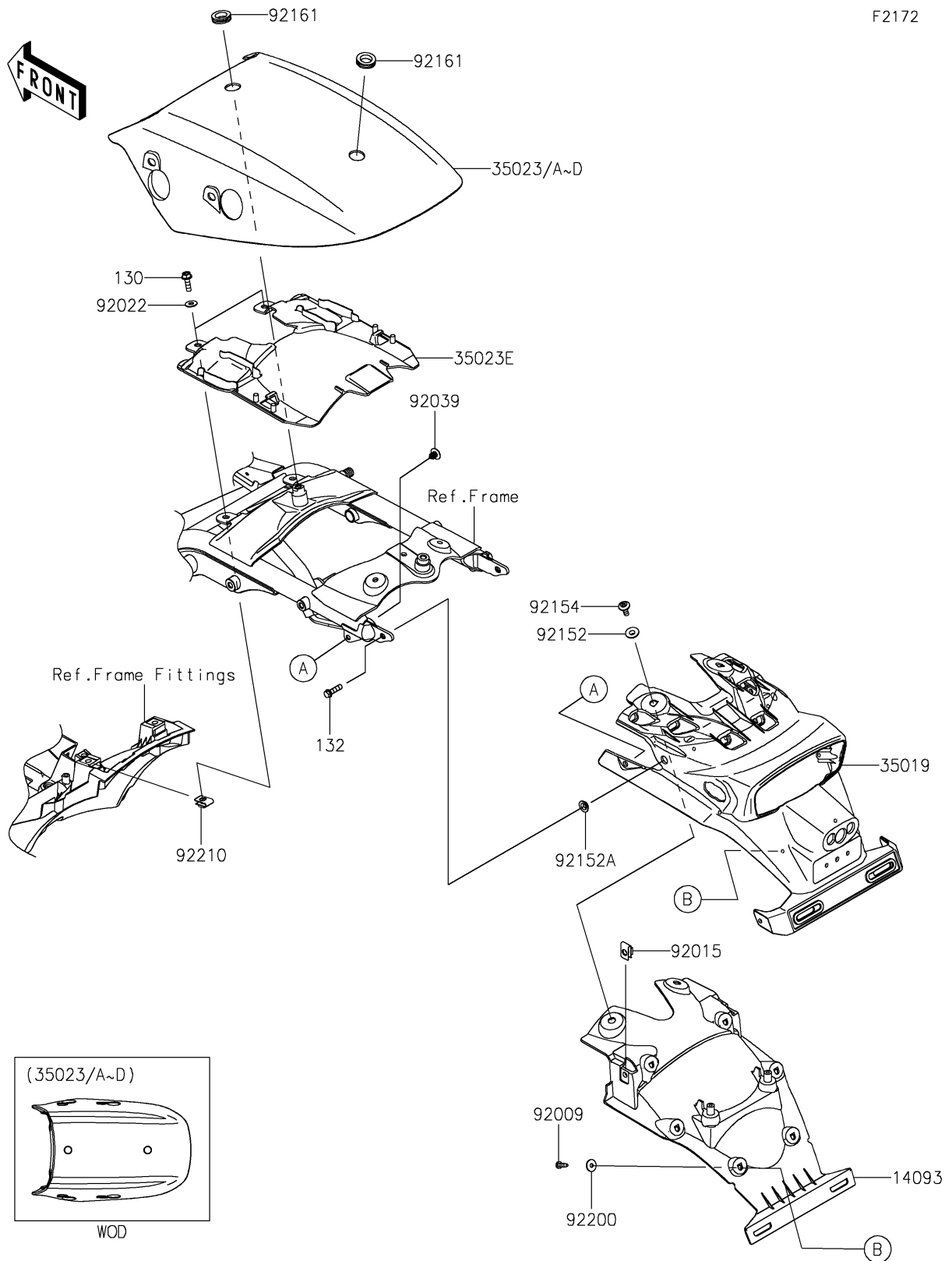


2026 ELIMINATOR® ABS

PARTS DIAGRAM

Rear Fender(s)



2026 ELIMINATOR® ABS

PARTS LIST

Rear Fender(s)

ITEM NAME

PART NUMBER

QUANTITY
