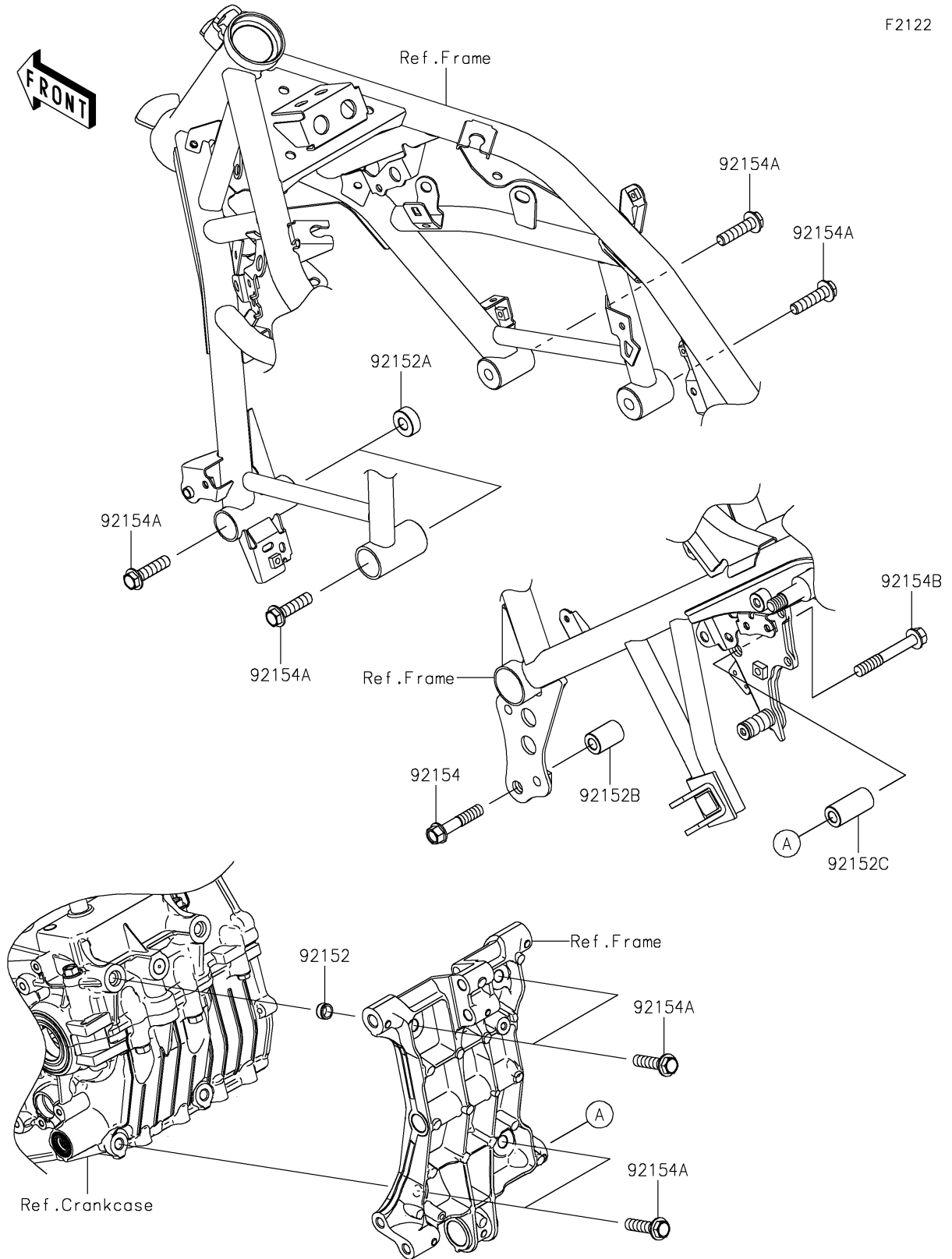


# 2025 Eliminator ABS

## PARTS DIAGRAM

### Engine Mount



F2122

# 2025 Eliminator ABS

## PARTS LIST Engine Mount

ITEM NAME	PART NUMBER	QUANTITY
-----------	-------------	----------

---