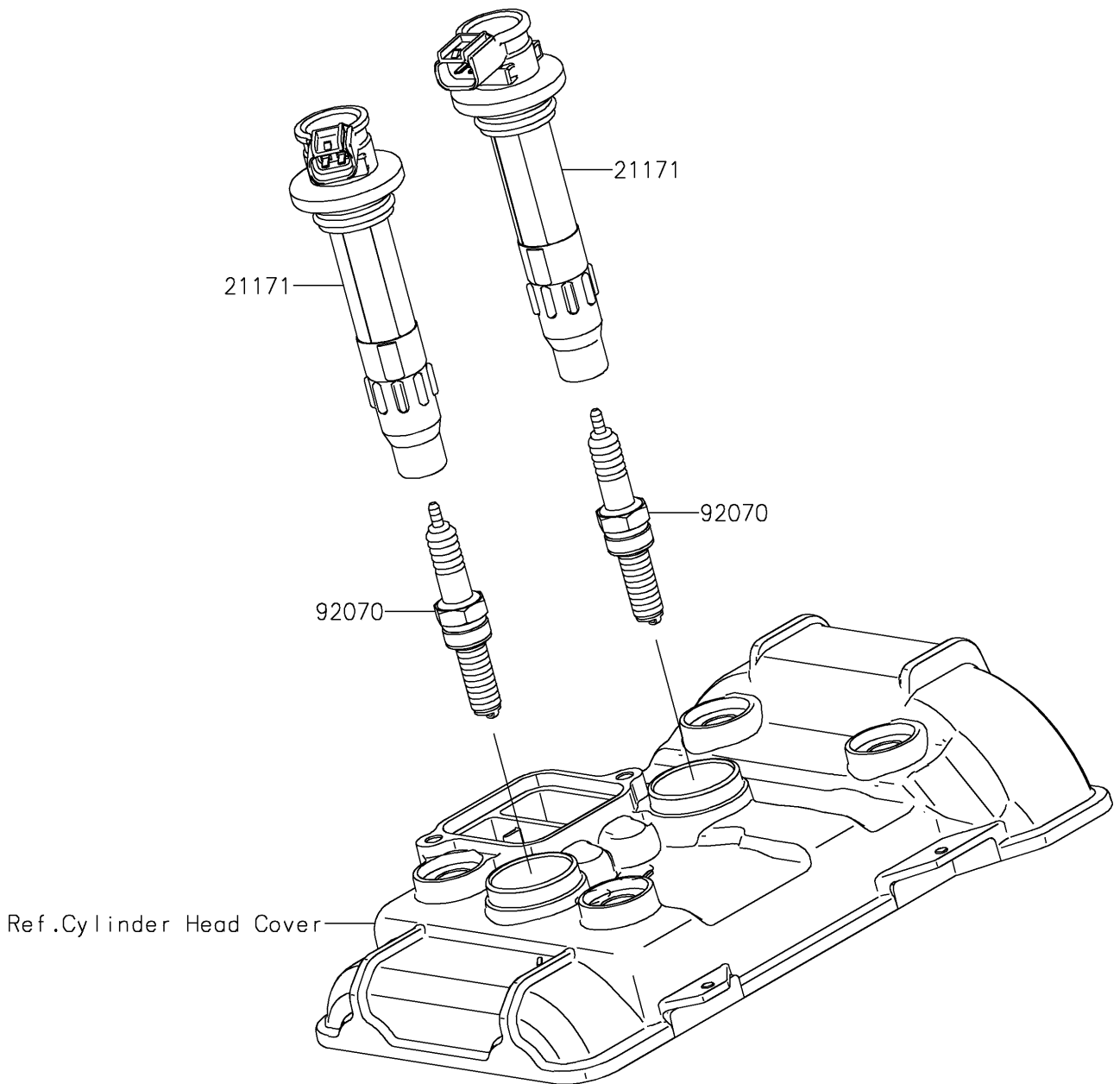


2026 ELIMINATOR® ABS

PARTS DIAGRAM

Ignition System

E1830



2026 ELIMINATOR[®] ABS

PARTS LIST

Ignition System



ITEM NAME	PART NUMBER	QUANTITY
-----------	-------------	----------
