

2026 ELIMINATOR® ABS

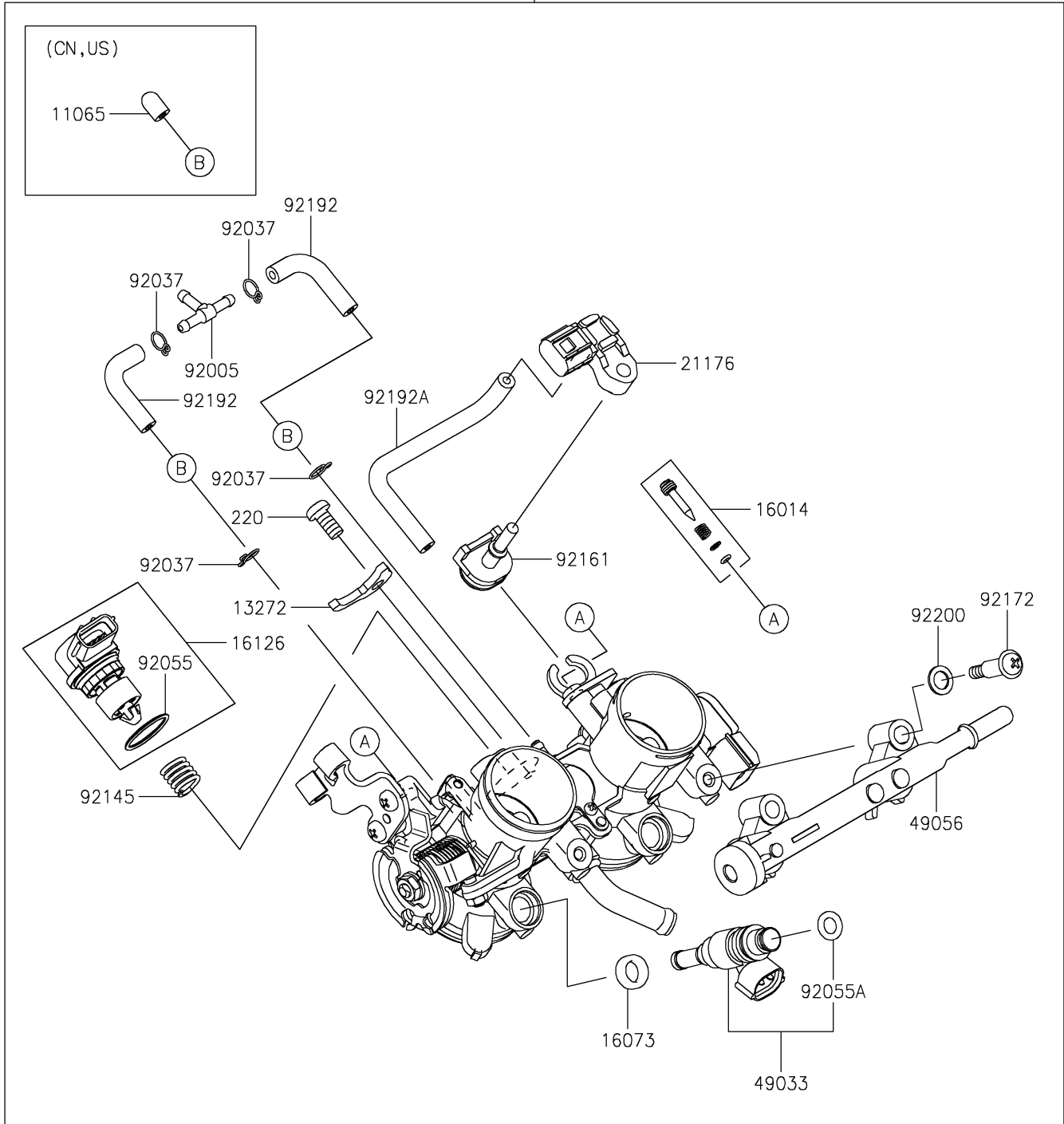
PARTS DIAGRAM

Throttle

E1510



16163/A



2026 ELIMINATOR[®] ABS

PARTS LIST

Throttle

ITEM NAME

PART NUMBER

QUANTITY
