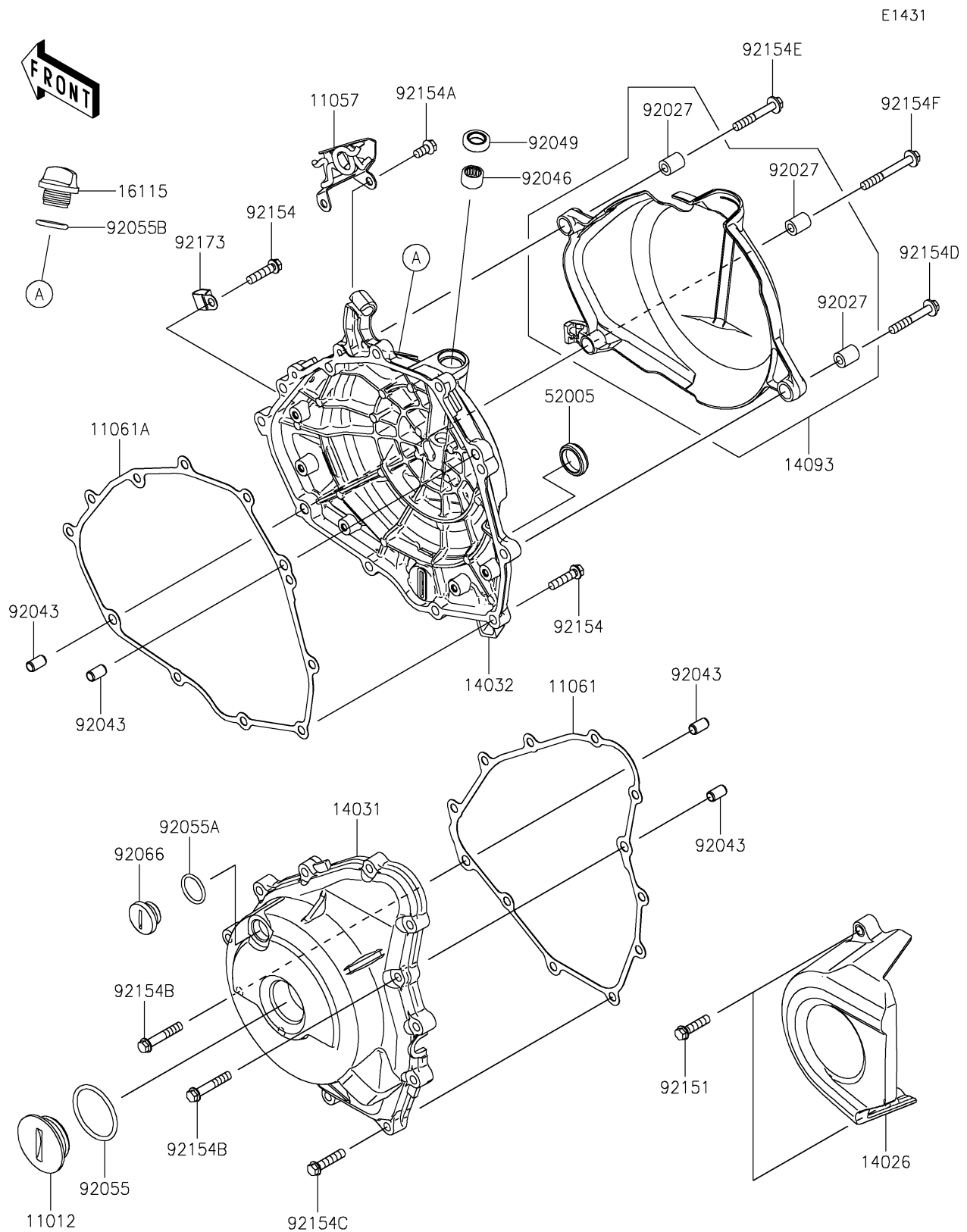


2024 ELIMINATOR® ABS

PARTS DIAGRAM

Engine Cover(s)



2024 ELIMINATOR[®] ABS



PARTS LIST

Engine Cover(s)

ITEM NAME	PART NUMBER	QUANTITY
-----------	-------------	----------