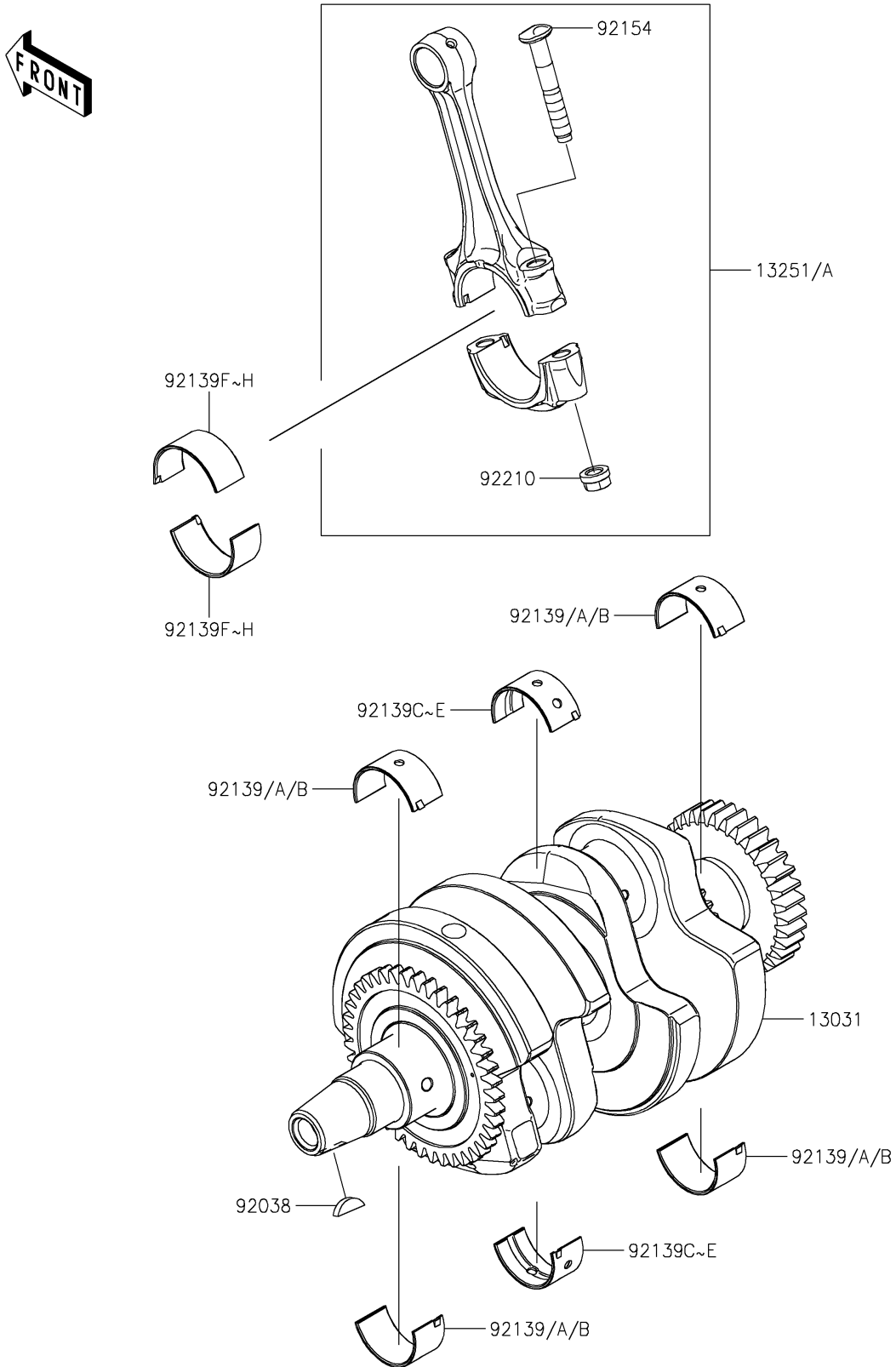


2026 ELIMINATOR® ABS

PARTS DIAGRAM

Crankshaft

E1321



2026 ELIMINATOR[®] ABS

PARTS LIST

Crankshaft

ITEM NAME

PART NUMBER

QUANTITY
