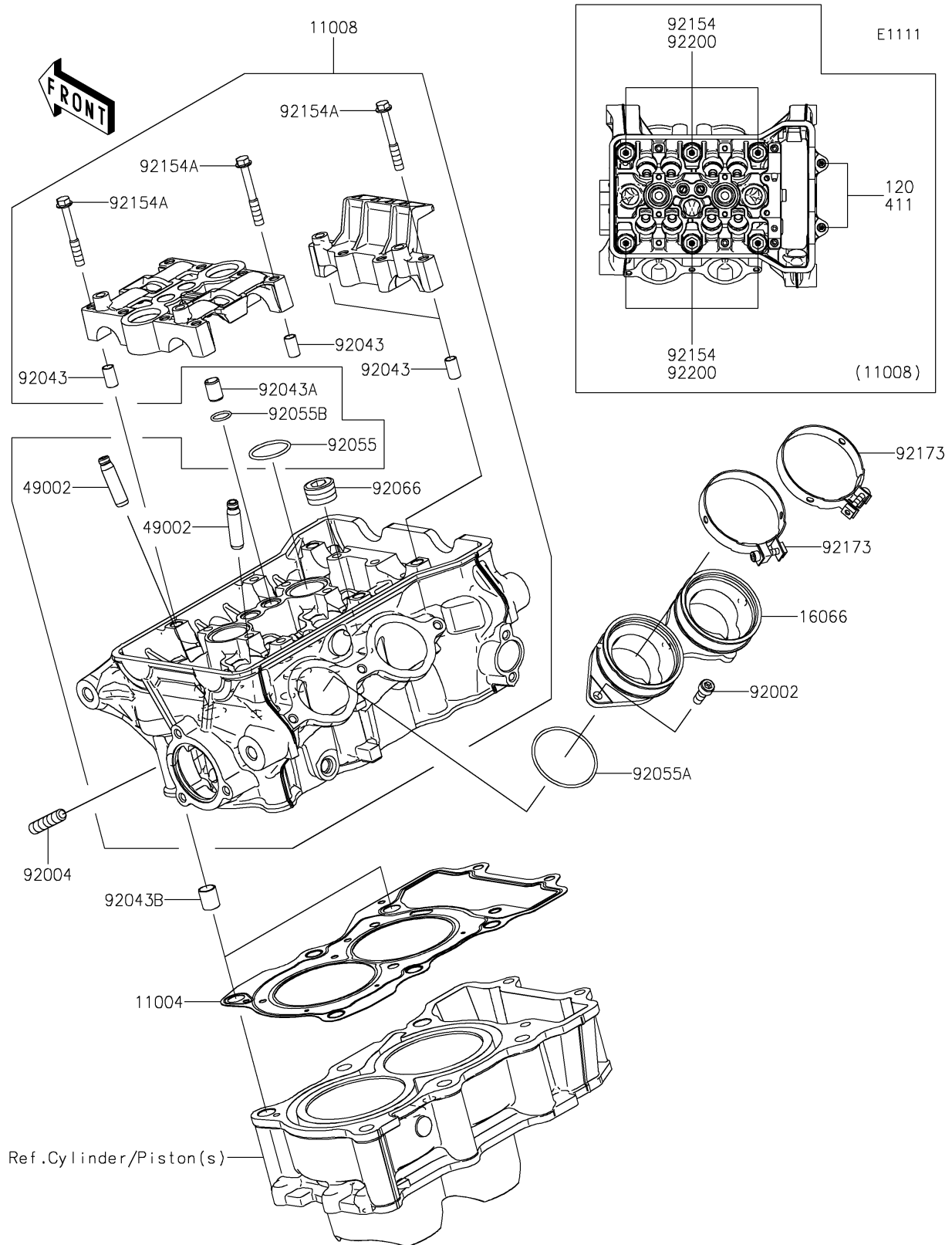


# 2024 ELIMINATOR® ABS

## PARTS DIAGRAM

### Cylinder Head



# 2024 ELIMINATOR® ABS

## PARTS LIST

### Cylinder Head

**ITEM NAME**

**PART NUMBER**

**QUANTITY**

---