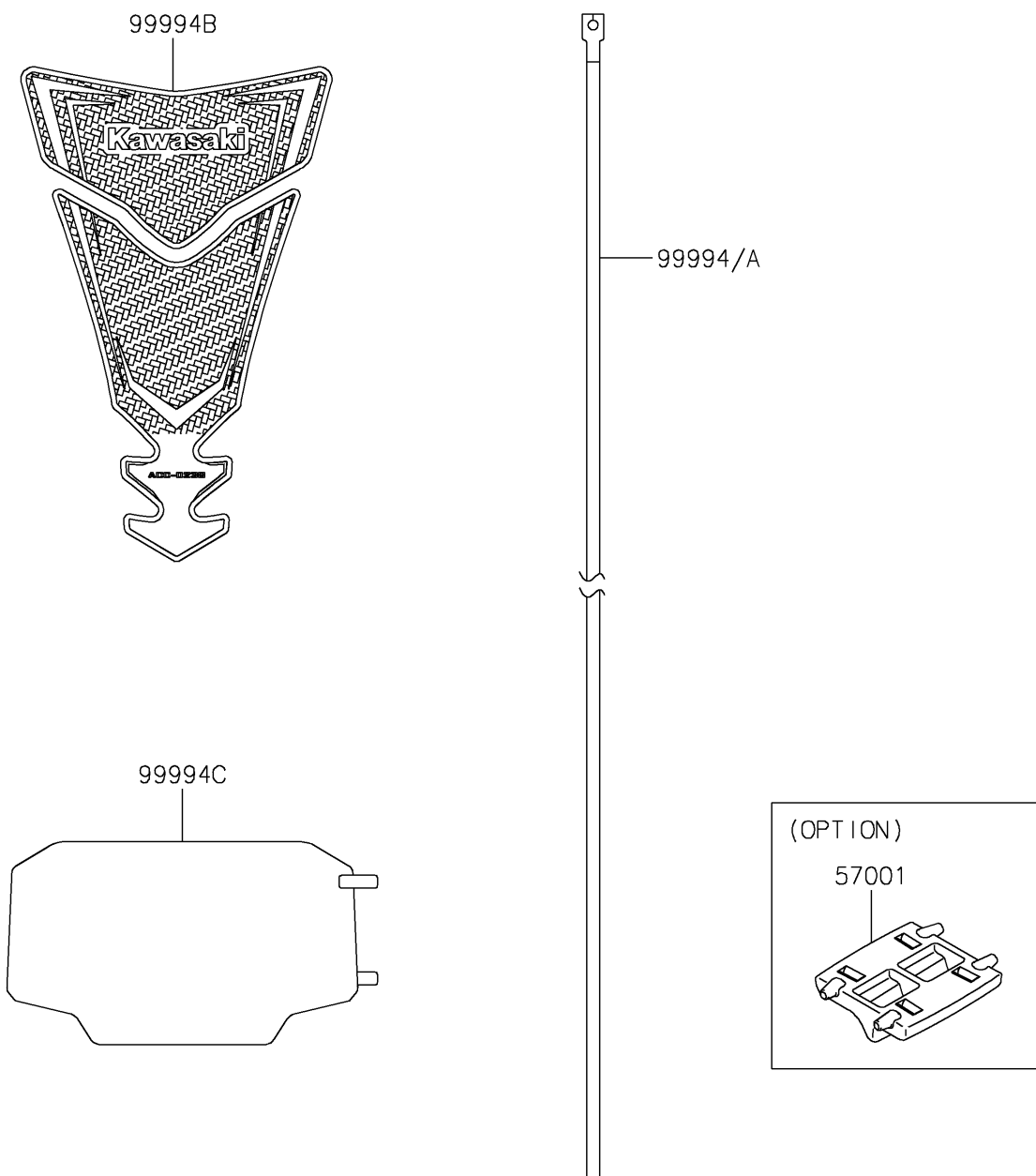


# 2024 NINJA<sup>®</sup> ZX<sup>™</sup>-4R ABS

## PARTS DIAGRAM

### Accessory(Decals)

F2910G



# 2024 NINJA® ZX™-4R ABS



## PARTS LIST

Accessory(Decals)

ITEM NAME	PART NUMBER	QUANTITY
-----------	-------------	----------