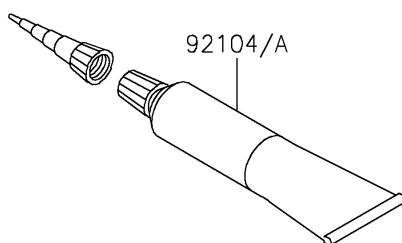
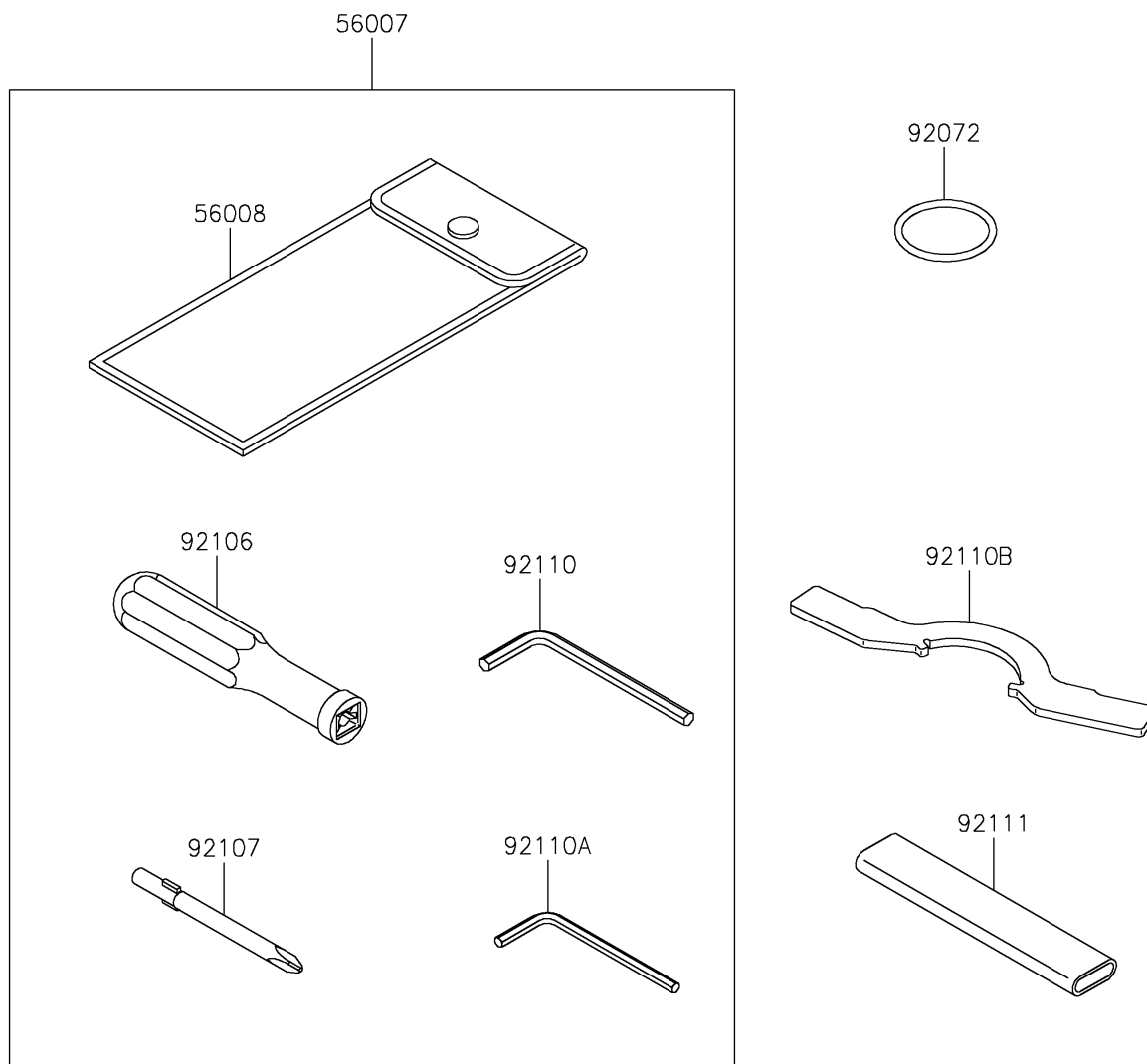


2024 NINJA® ZX™-4R ABS

PARTS DIAGRAM

Owner's Tools

F2810



2024 NINJA[®] ZX[™]-4R ABS



PARTS LIST

Owner's Tools

ITEM NAME	PART NUMBER	QUANTITY
-----------	-------------	----------