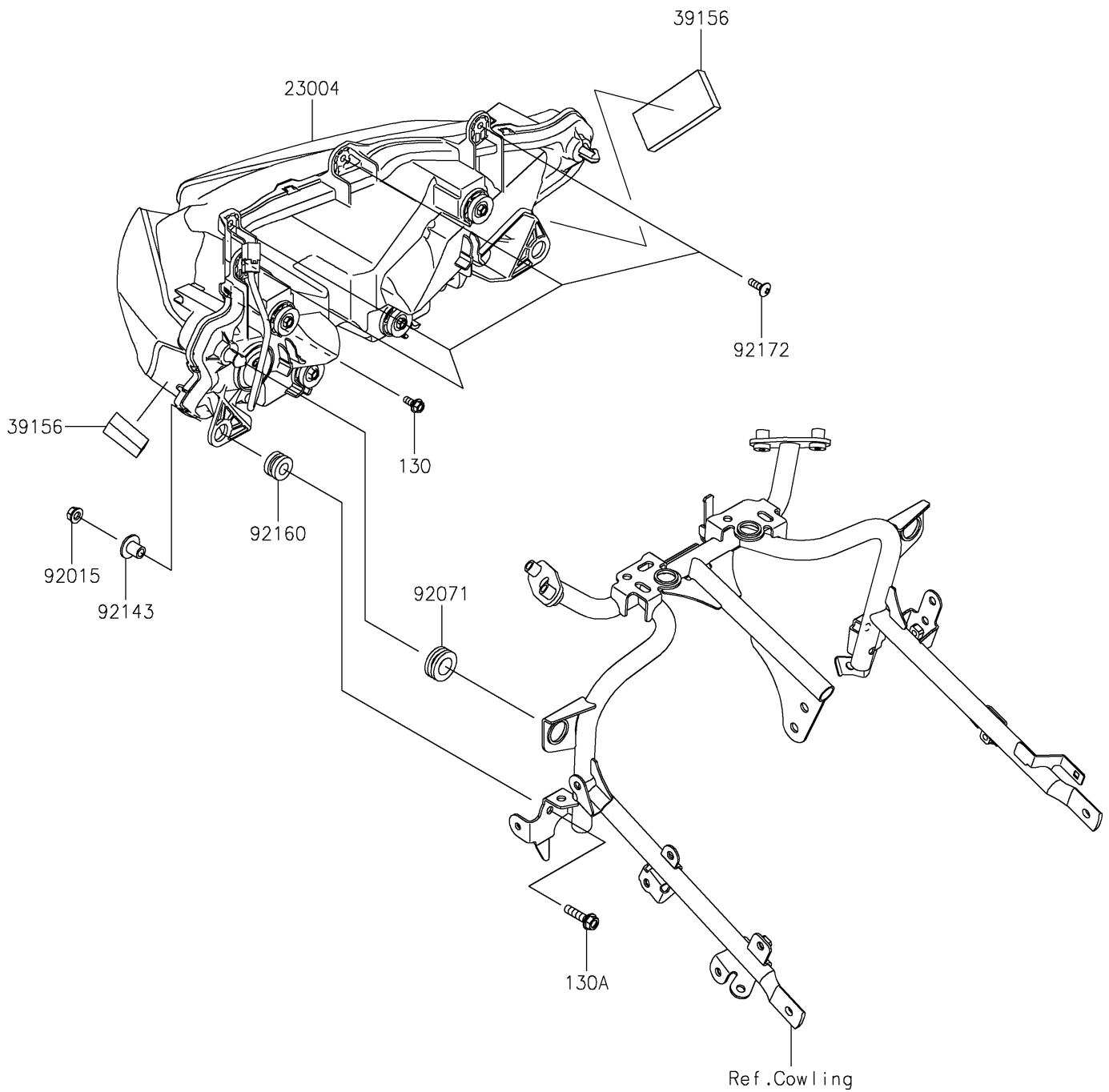


# 2024 NINJA<sup>®</sup> ZX<sup>™</sup>-4R ABS

## PARTS DIAGRAM

### Headlight(s)

F2710



# 2024 NINJA<sup>®</sup> ZX<sup>™</sup>-4R ABS

## PARTS LIST

### Headlight(s)

ITEM NAME	PART NUMBER	QUANTITY
-----------	-------------	----------

---