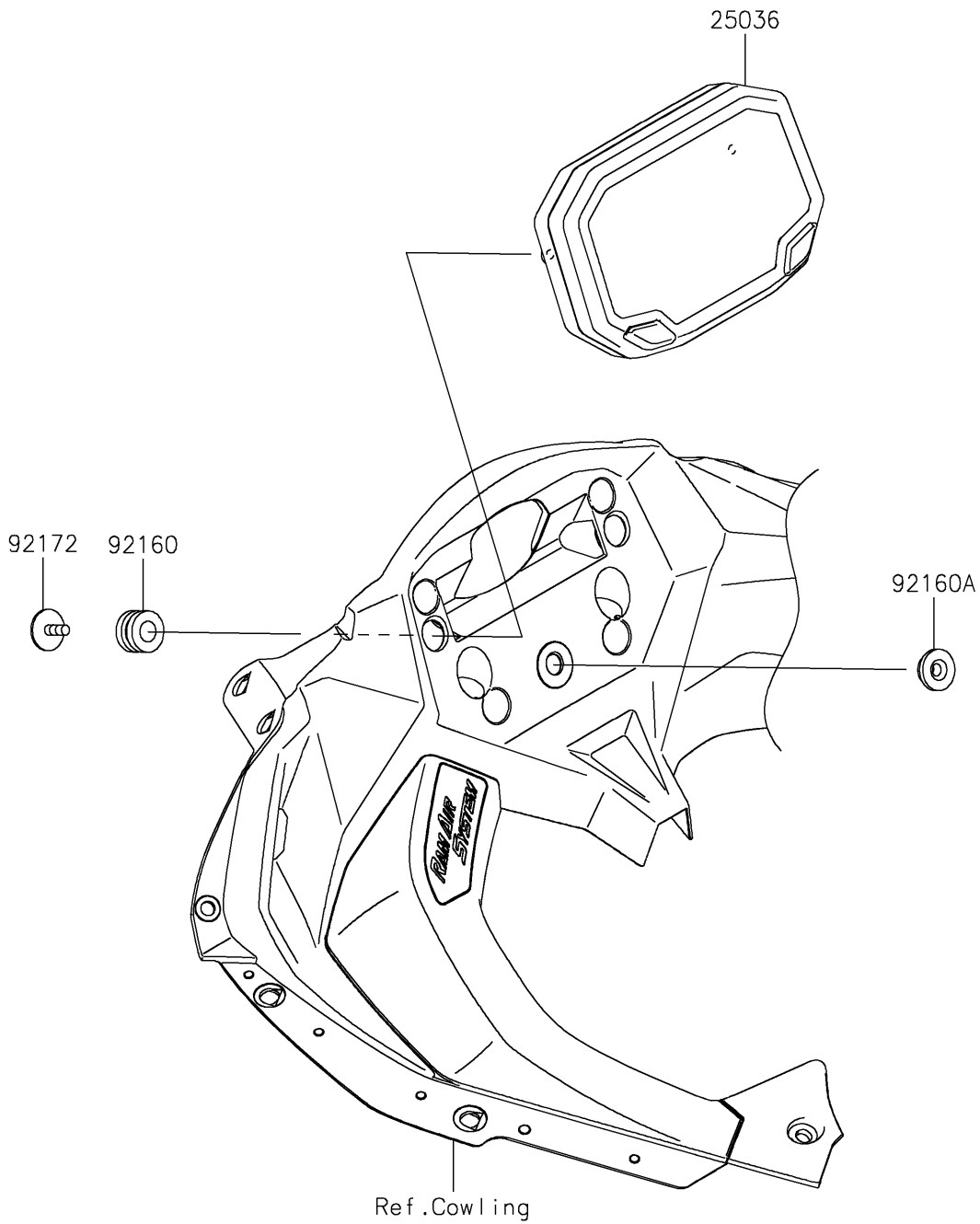


# 2024 NINJA® ZX™-4R ABS

## PARTS DIAGRAM

Meter(s)

F2530



# 2024 NINJA® ZX™-4R ABS



## PARTS LIST

Meter(s)

ITEM NAME	PART NUMBER	QUANTITY
-----------	-------------	----------