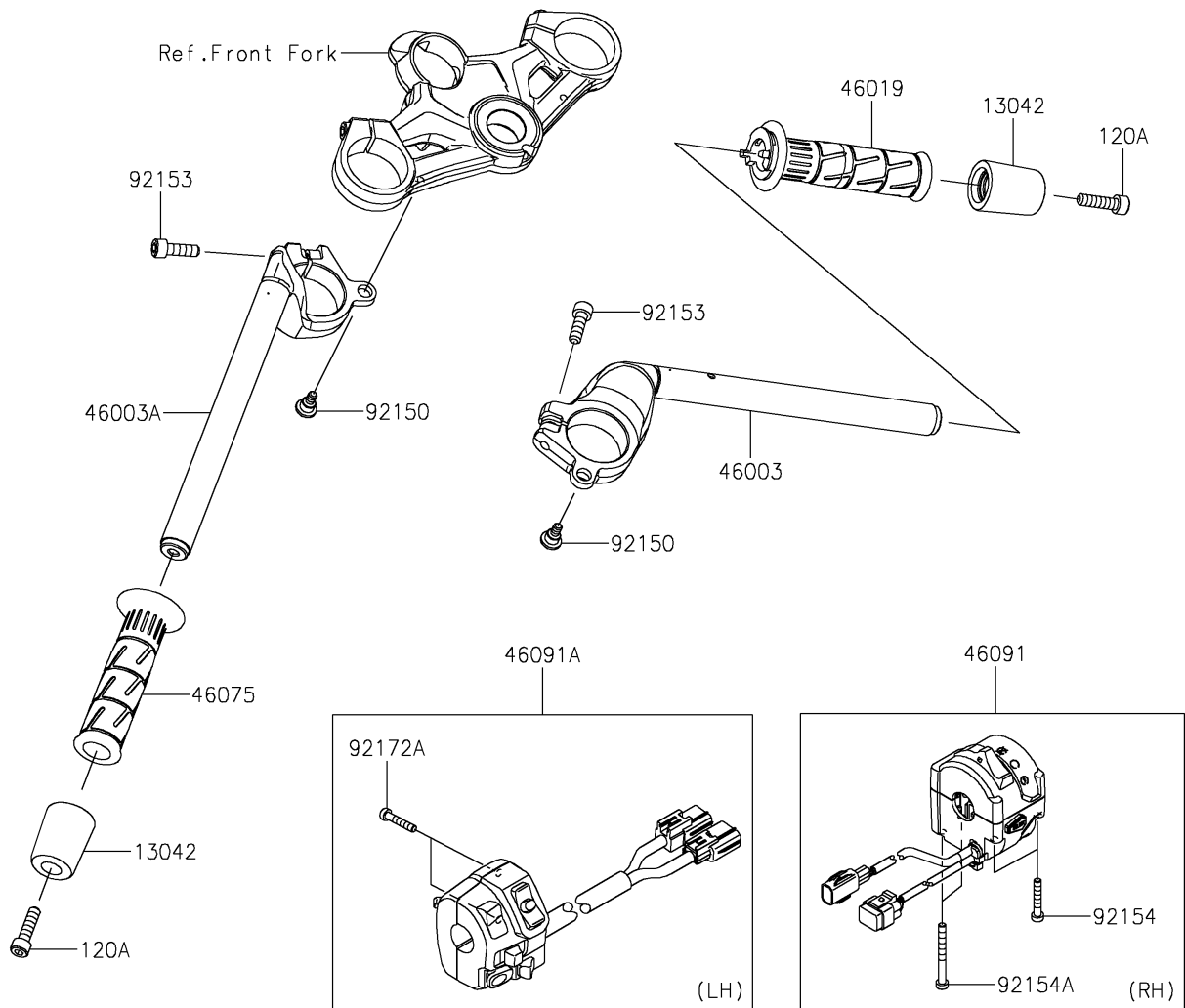
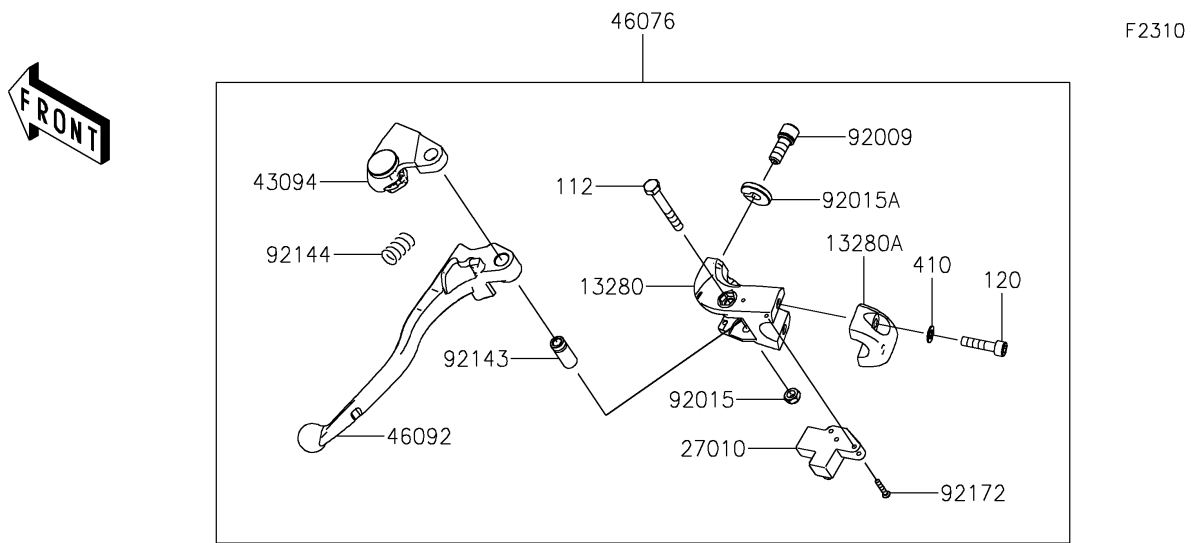


2024 NINJA® ZX™-4R ABS

PARTS DIAGRAM

Handlebar



2024 NINJA[®] ZX[™]-4R ABS

PARTS LIST

Handlebar

| ITEM NAME | PART NUMBER | QUANTITY |
|-----------|-------------|----------|
|-----------|-------------|----------|
