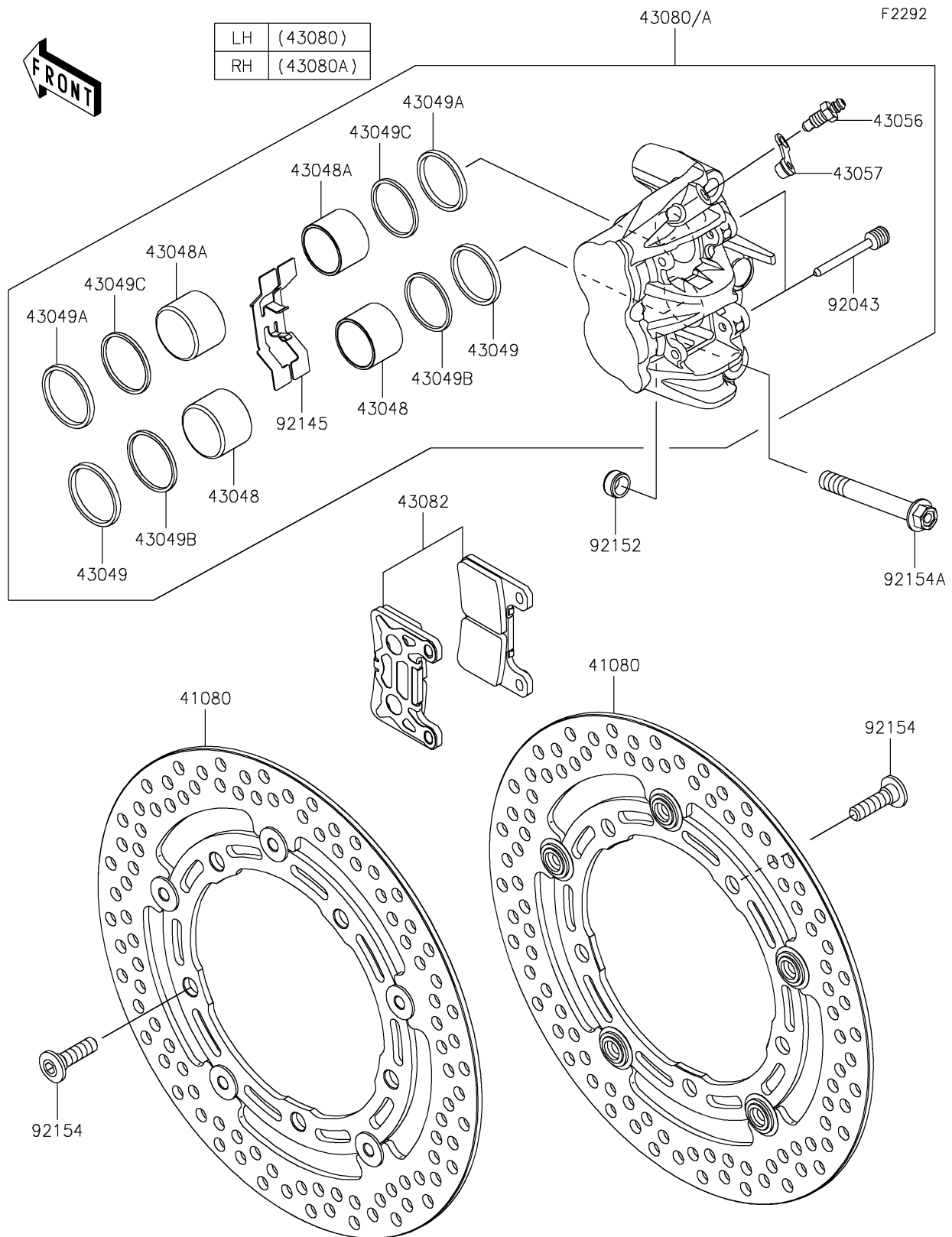


# 2024 NINJA® ZX™-4R ABS

## PARTS DIAGRAM

### Front Brake



# 2024 NINJA<sup>®</sup> ZX<sup>™</sup>-4R ABS

## PARTS LIST

### Front Brake

| ITEM NAME | PART NUMBER | QUANTITY |
|-----------|-------------|----------|
|-----------|-------------|----------|

---