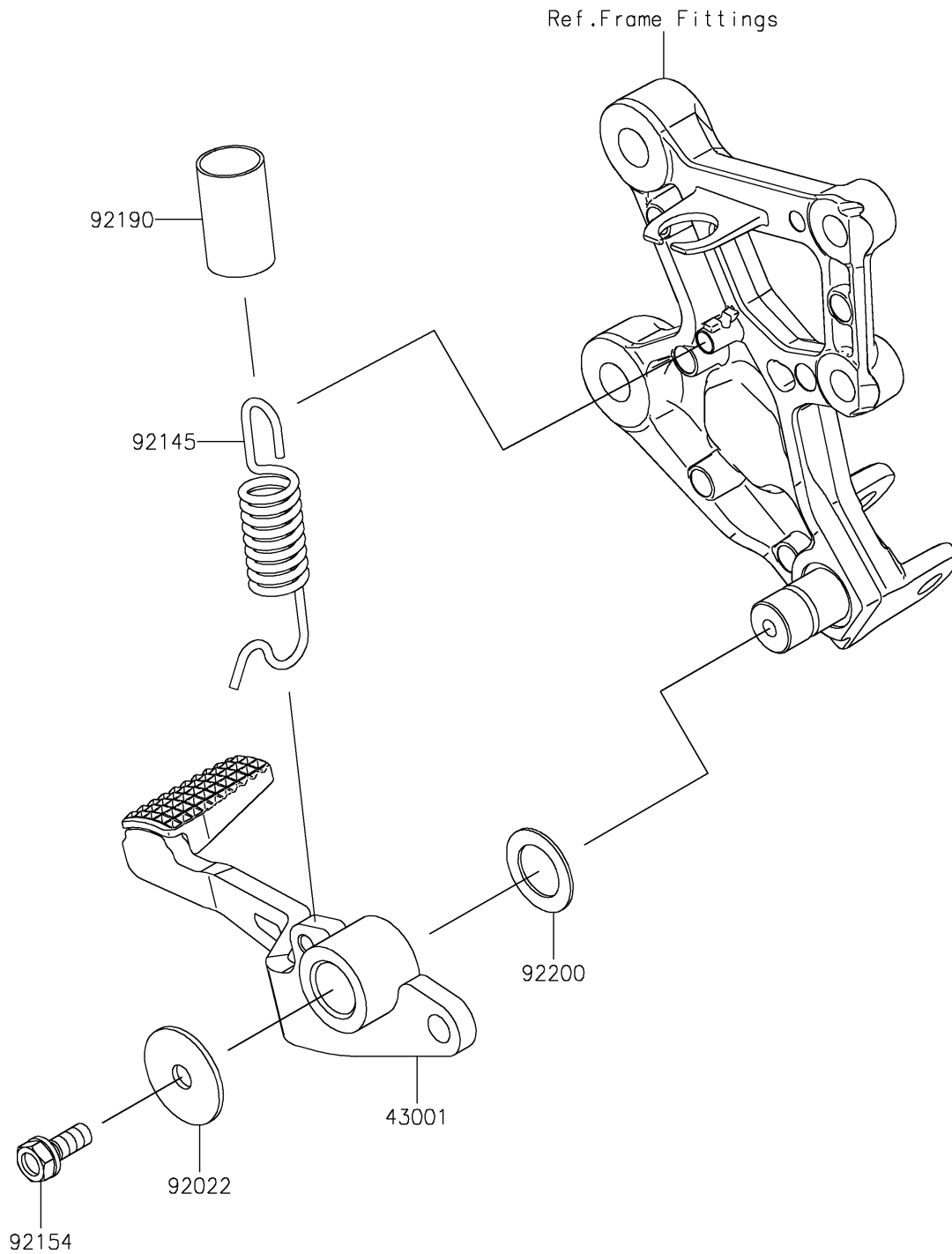


2024 NINJA[®] ZX[™]-4R ABS

PARTS DIAGRAM

Brake Pedal/Torque Link

F2260



2024 NINJA[®] ZX[™]-4R ABS

PARTS LIST

Brake Pedal/Torque Link

ITEM NAME	PART NUMBER	QUANTITY
-----------	-------------	----------
