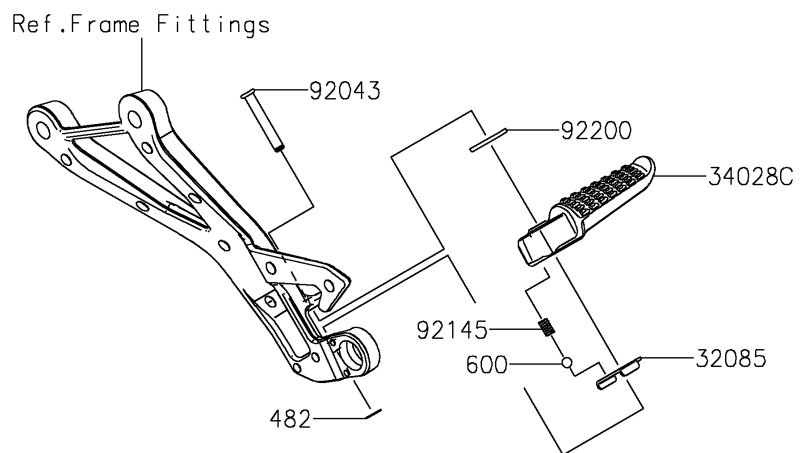
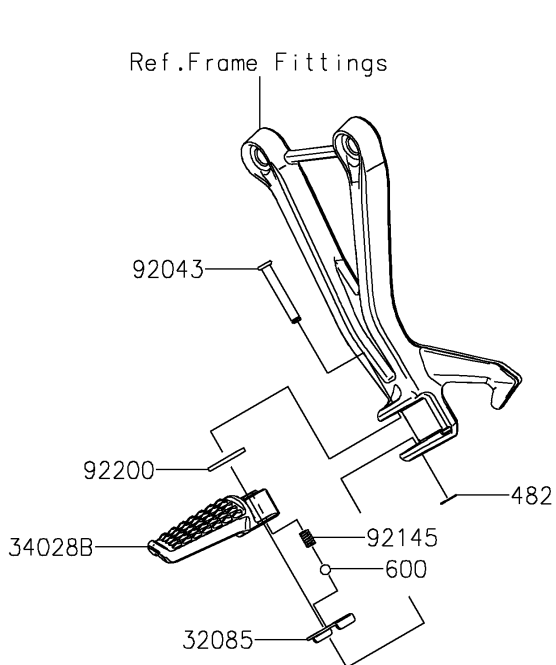
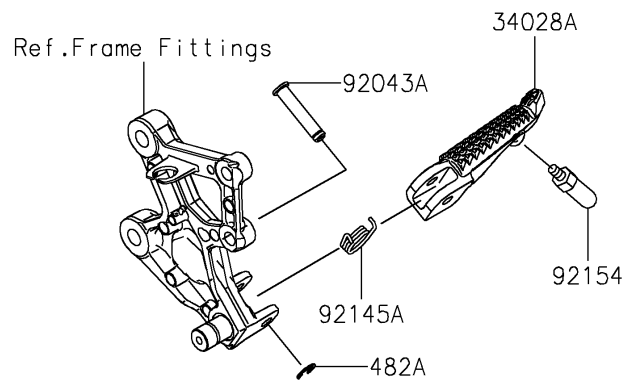
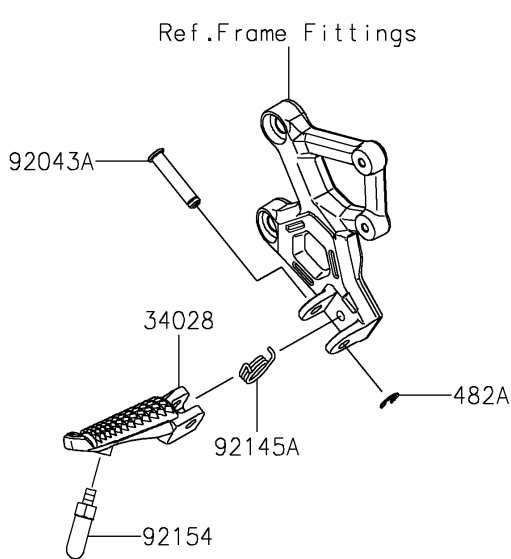


2024 NINJA® ZX™-4R ABS

PARTS DIAGRAM

Footrests

F2160



2024 NINJA® ZX™-4R ABS



PARTS LIST

Footrests

ITEM NAME	PART NUMBER	QUANTITY
-----------	-------------	----------