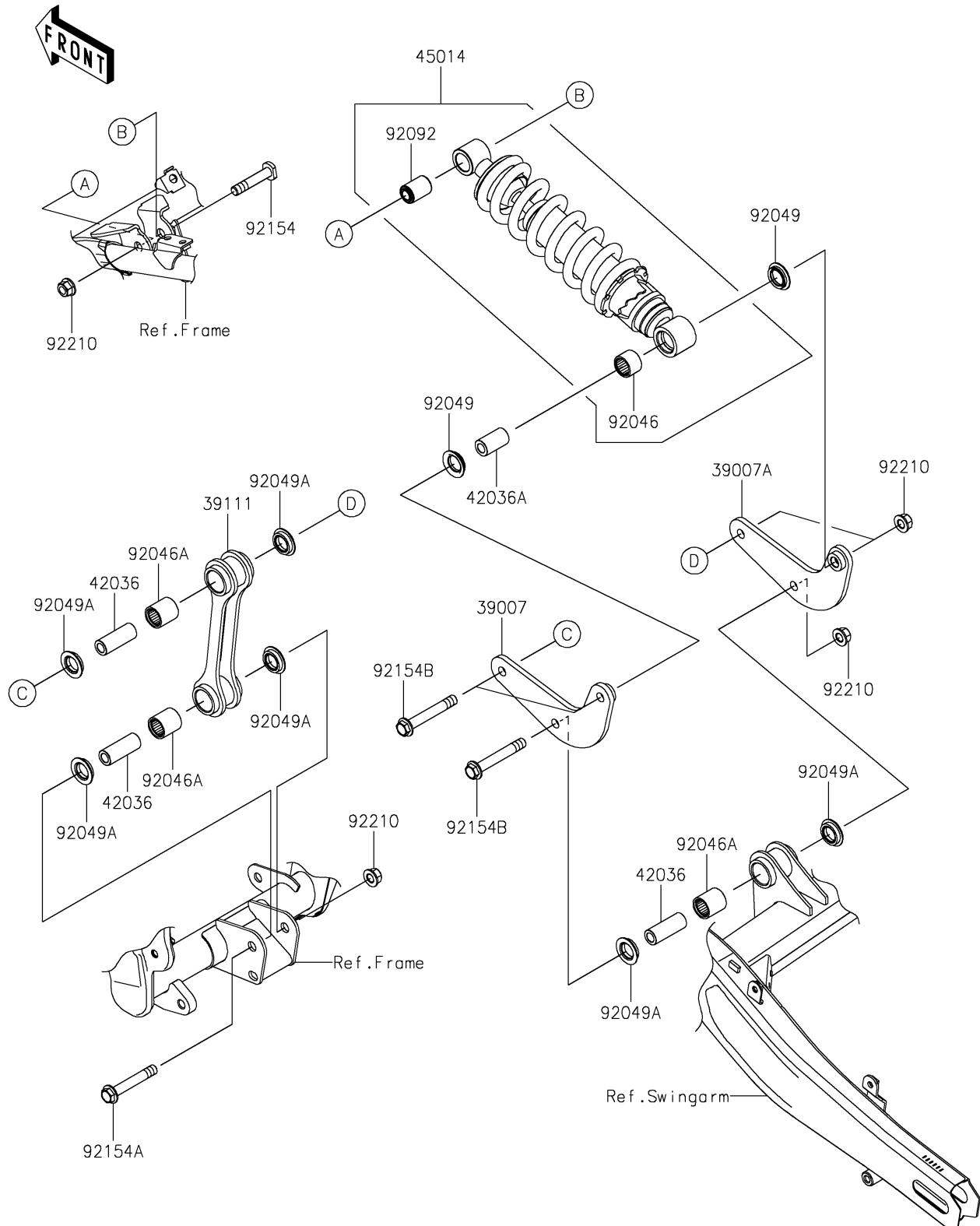


2024 NINJA® ZX™-4R ABS

PARTS DIAGRAM

Suspension/Shock Absorber

F2151



2024 NINJA[®] ZX[™]-4R ABS

PARTS LIST

Suspension/Shock Absorber

ITEM NAME	PART NUMBER	QUANTITY
-----------	-------------	----------
