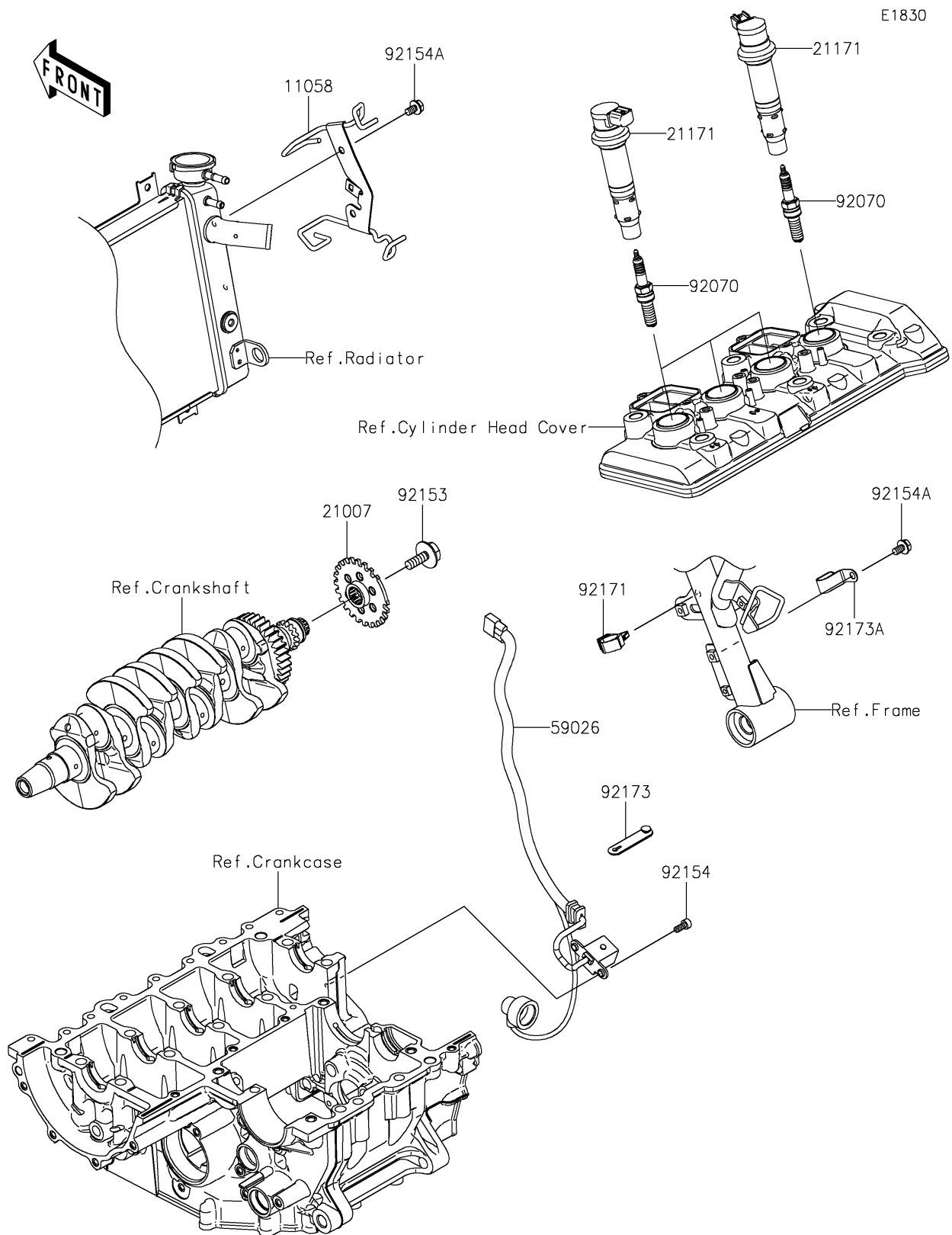


# 2024 Ninja ZX-4R ABS

## PARTS DIAGRAM

### Ignition System



# 2024 Ninja ZX-4R ABS

## PARTS LIST

### Ignition System



ITEM NAME	PART NUMBER	QUANTITY
-----------	-------------	----------

---