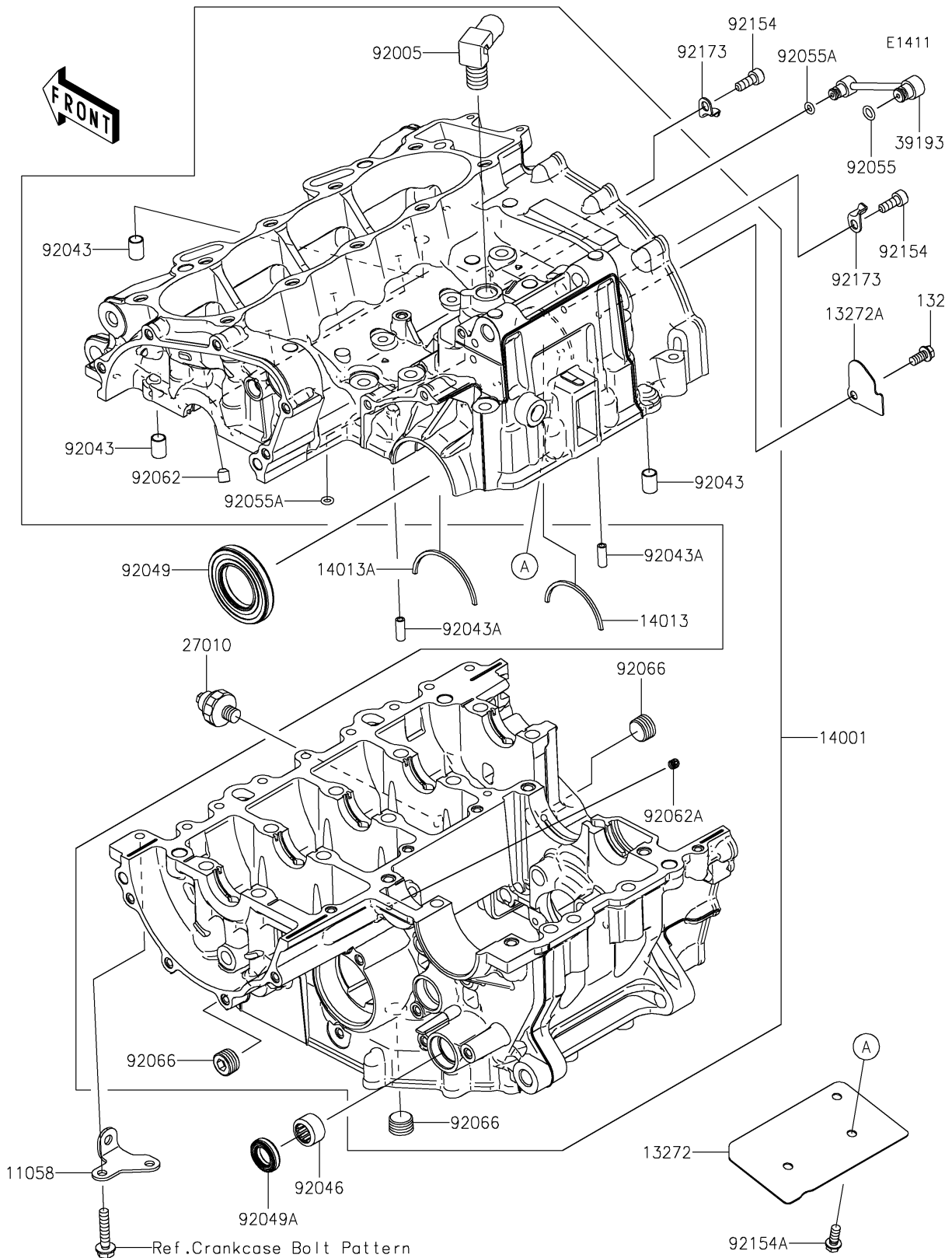


2024 NINJA® ZX™-4R ABS

PARTS DIAGRAM

Crankcase



2024 NINJA[®] ZX[™]-4R ABS

PARTS LIST

Crankcase

ITEM NAME	PART NUMBER	QUANTITY
-----------	-------------	----------
