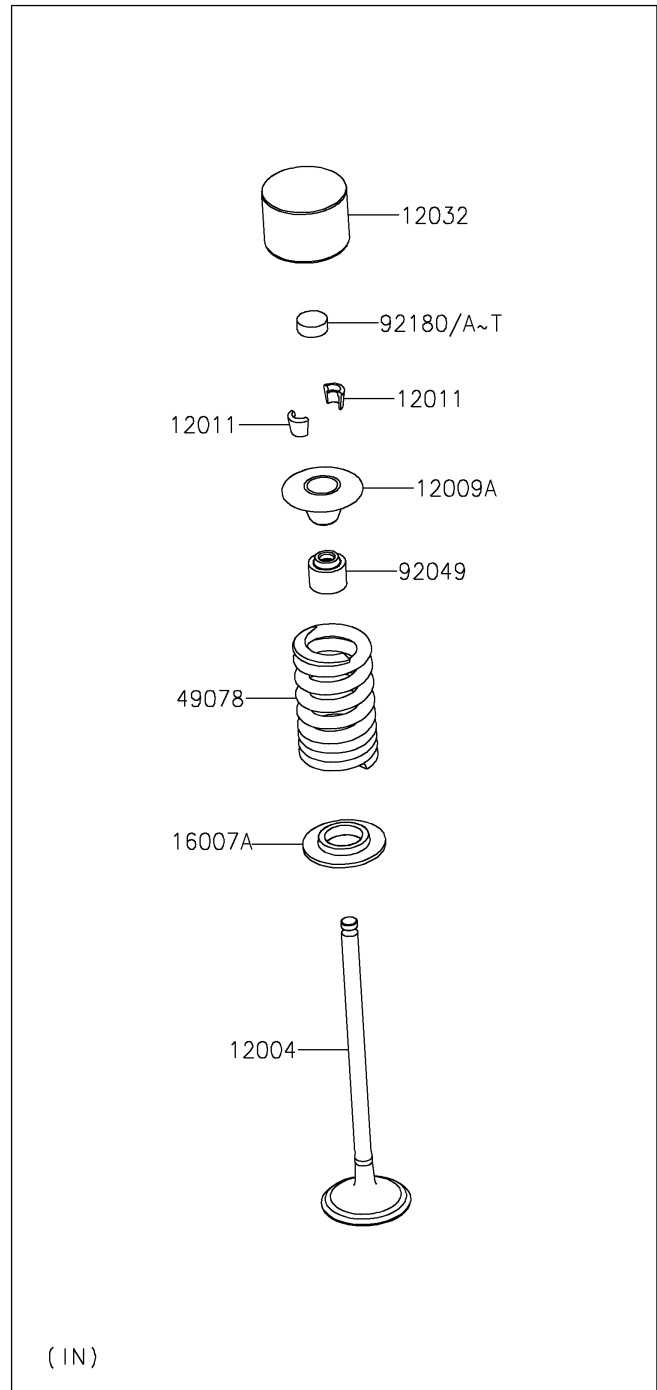
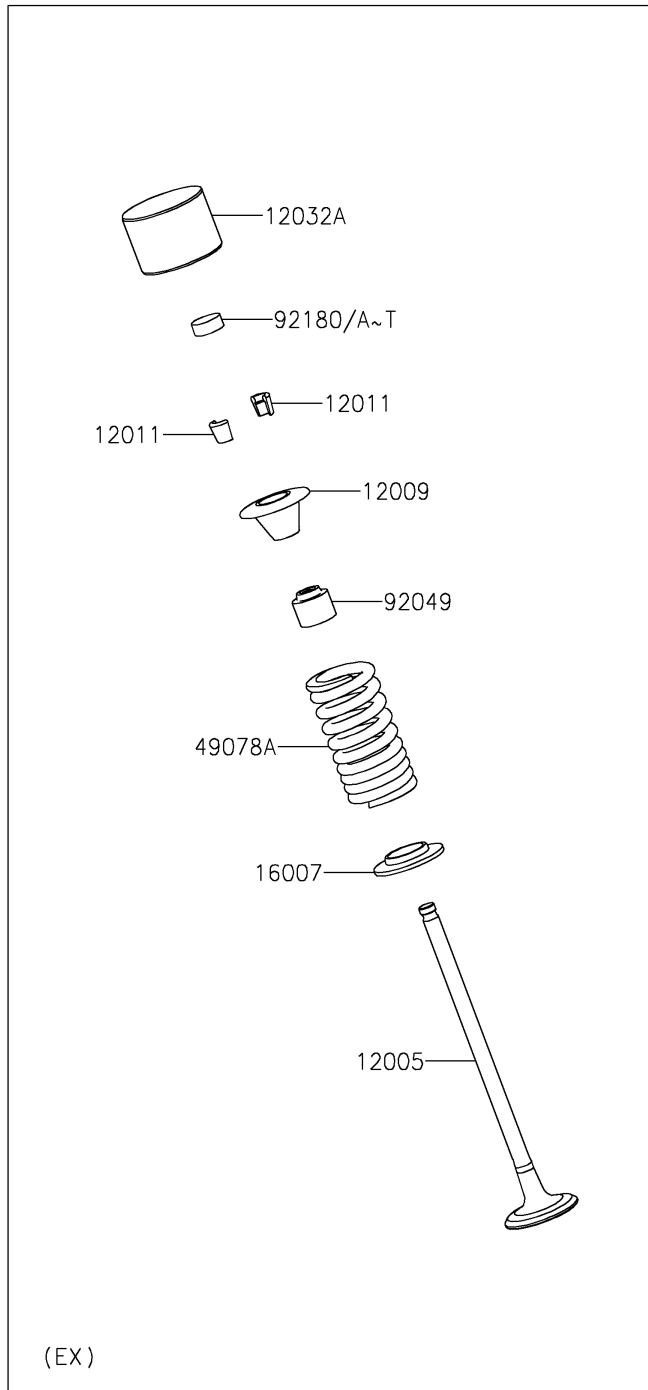


2024 NINJA® ZX™-4R ABS

PARTS DIAGRAM

Valve(s)

E1210



2024 NINJA[®] ZX[™]-4R ABS

PARTS LIST

Valve(s)

ITEM NAME	PART NUMBER	QUANTITY
-----------	-------------	----------
