

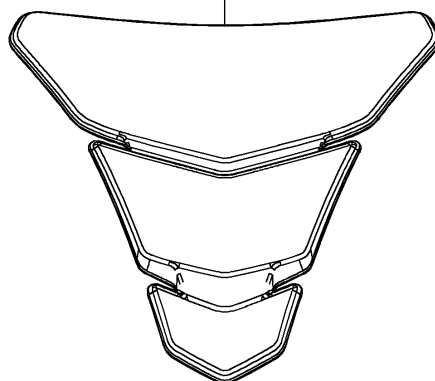
2026 Z H2 SE ABS

PARTS DIAGRAM

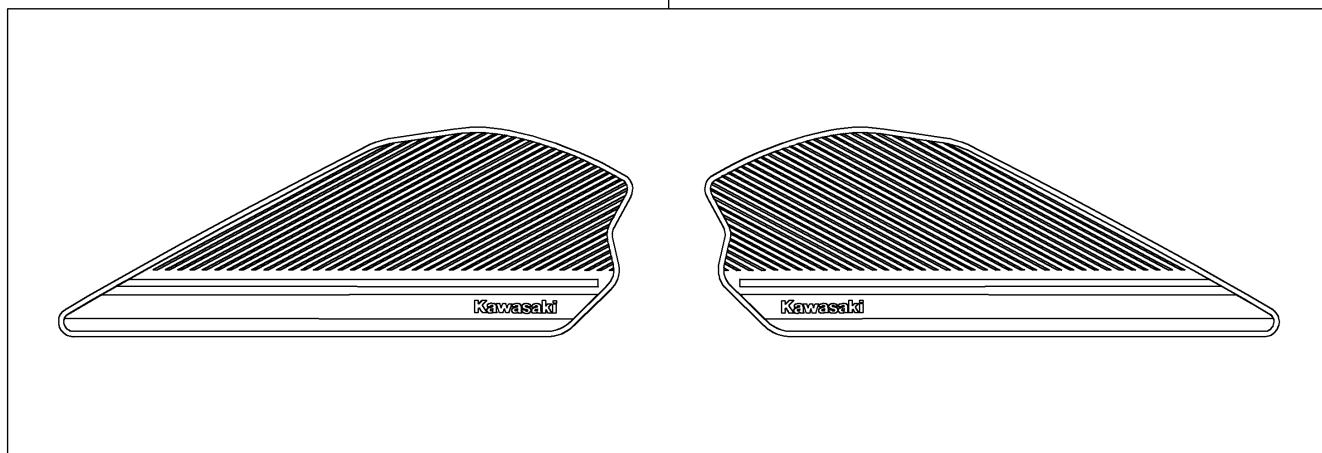
Accessory(Tank Pads and Meter Film)

F2910G

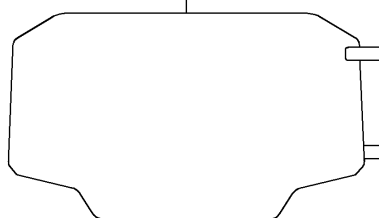
99994



99994A



99994B



2026 Z H2 SE ABS

PARTS LIST

Accessory(Tank Pads and Meter Film)

ITEM NAME

PART NUMBER

QUANTITY
