

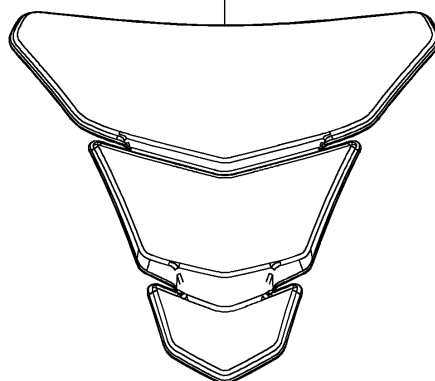
# 2023 Z H2 SE

## PARTS DIAGRAM

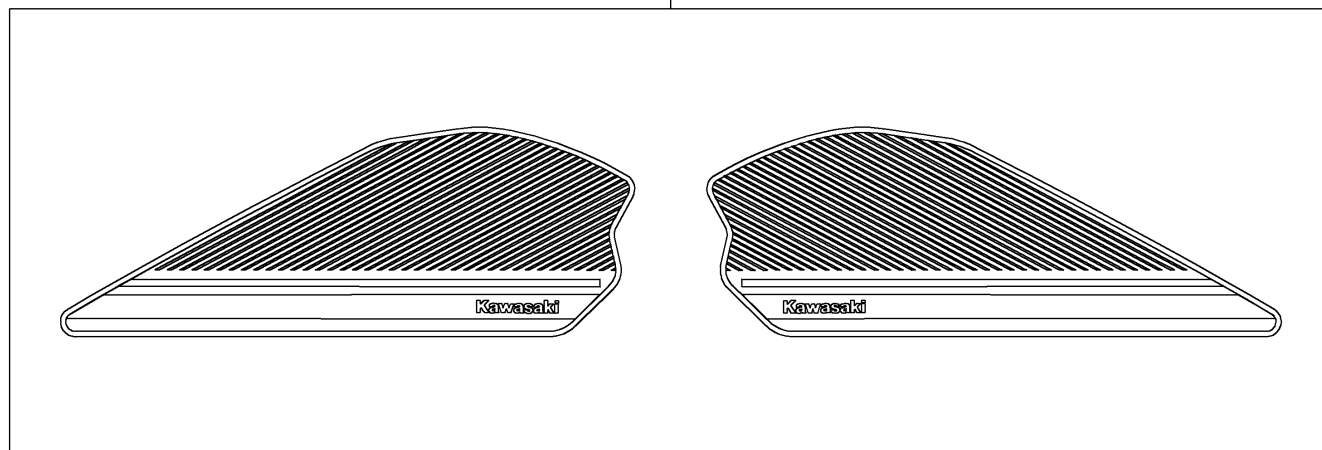
Accessory(Tank Pads and Meter Film)

F2910G

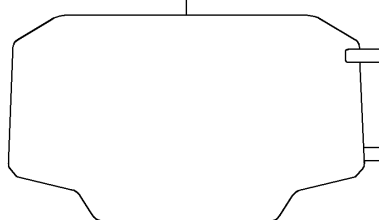
99994



99994A



99994B



# 2023 Z H2 SE

## PARTS LIST

### Accessory(Tank Pads and Meter Film)

ITEM NAME	PART NUMBER	QUANTITY
KIT-ACCESSORY,TANK PAD (Ref # 99994)	99994-1075	1
KNEE PAD (Ref # 99994A)	99994-1435	1
SCRATCH RESISTANT FILM (Ref # 99994B)	99994-1472	1