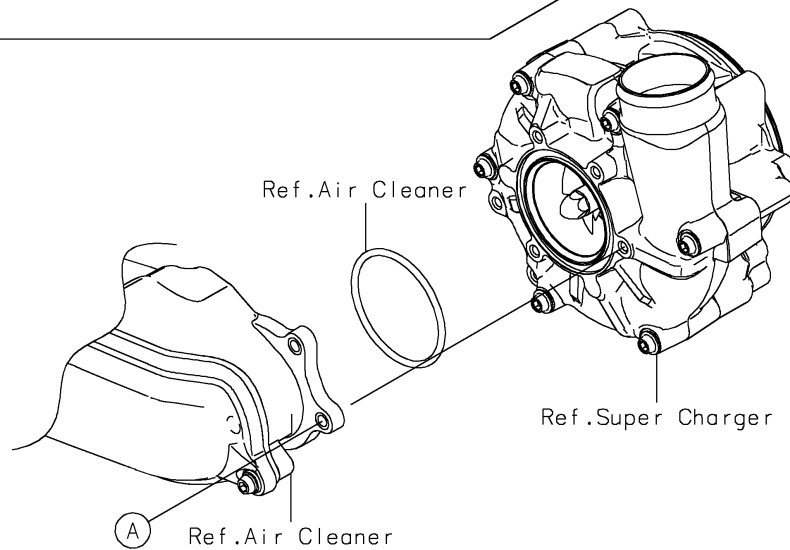
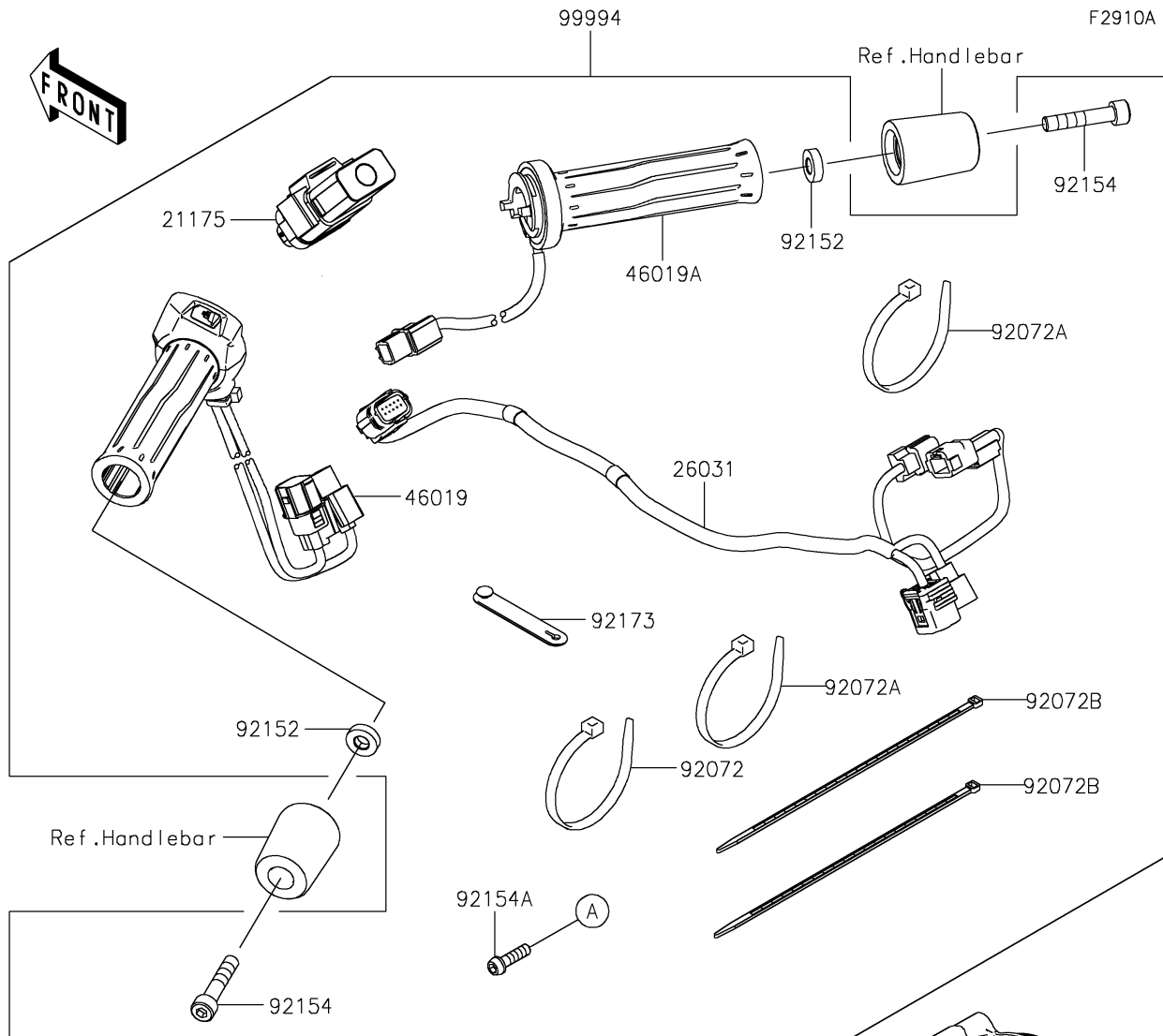


# 2024 Z H2 SE ABS

## PARTS DIAGRAM

### Accessory(Grip Heater)



# 2024 Z H2 SE ABS

## PARTS LIST

Accessory(Grip Heater)

**ITEM NAME**

**PART NUMBER**

**QUANTITY**

---