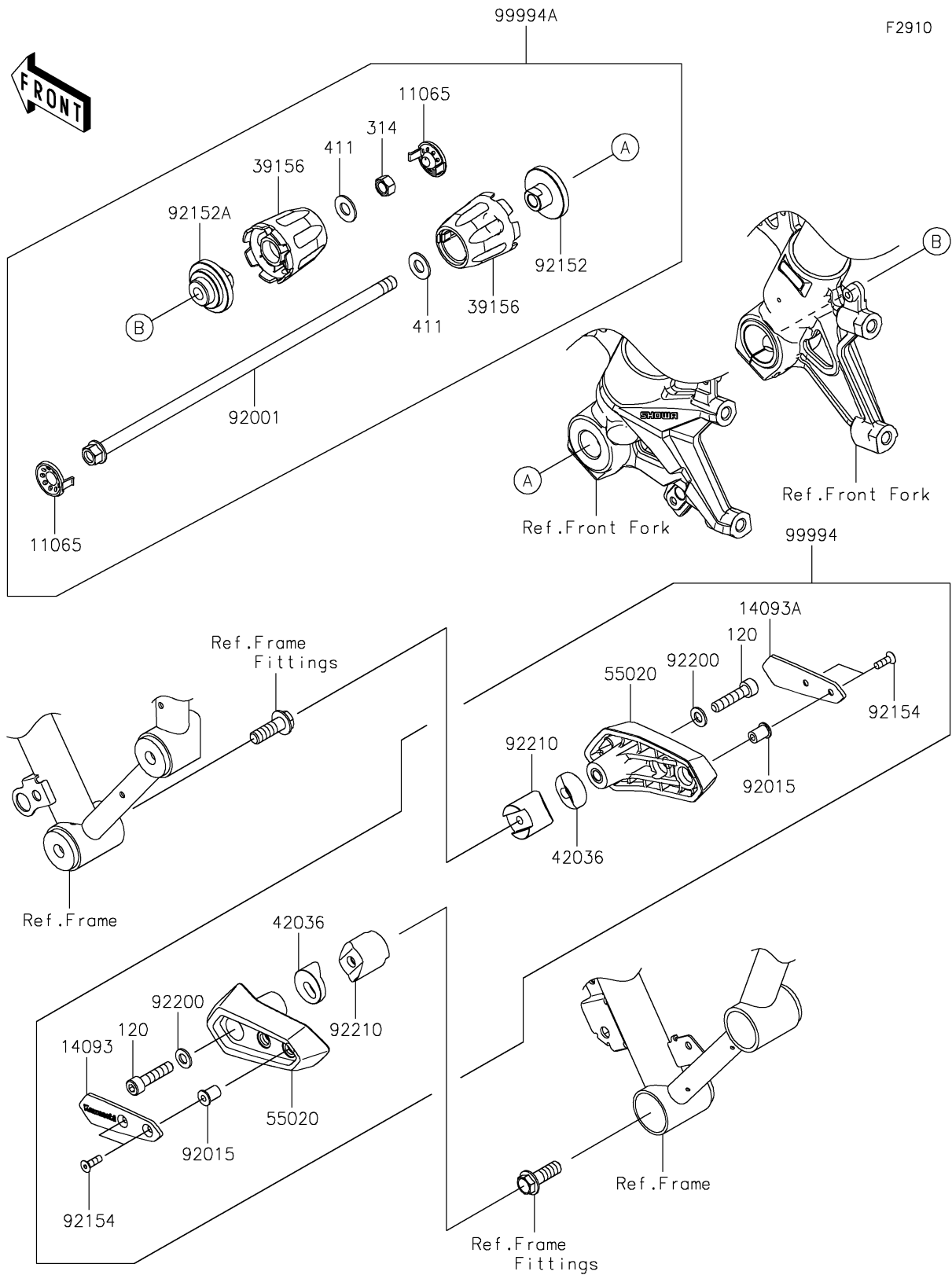


# 2026 Z H2 SE ABS

## PARTS DIAGRAM

### Accessory(Slider)



# 2026 Z H2 SE ABS

## PARTS LIST

Accessory(Slider)

**ITEM NAME**

**PART NUMBER**

**QUANTITY**

---