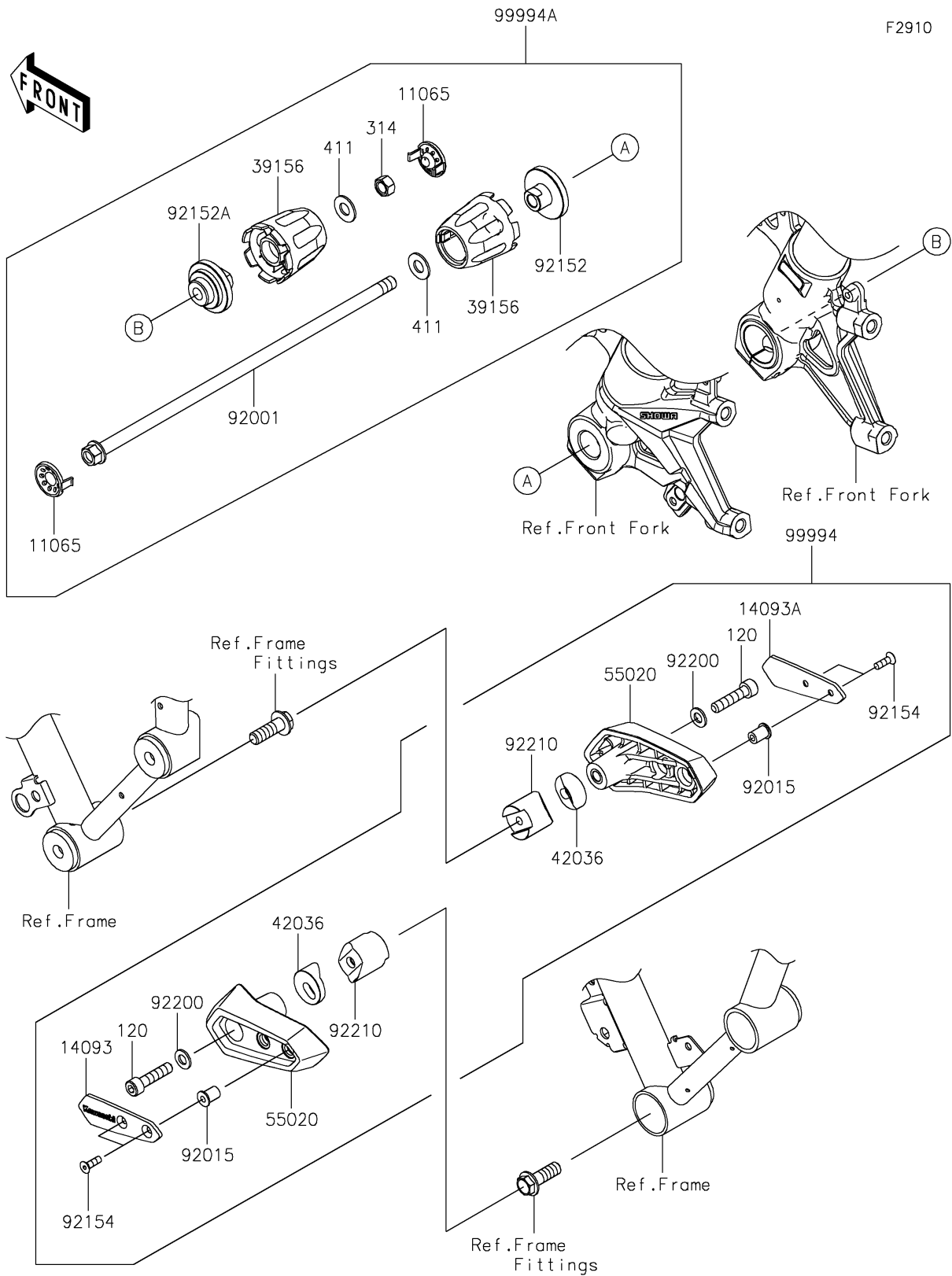


2024 Z H2 SE ABS

PARTS DIAGRAM

Accessory(Slider)



2024 Z H2 SE ABS

PARTS LIST

Accessory(Slider)



| ITEM NAME | PART NUMBER | QUANTITY |
|-----------|-------------|----------|
|-----------|-------------|----------|
