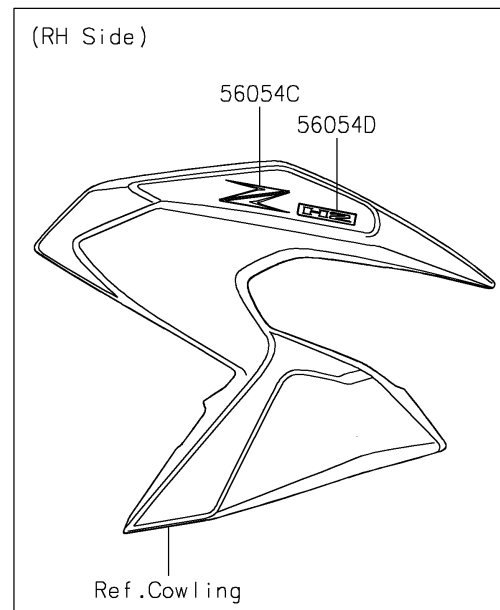
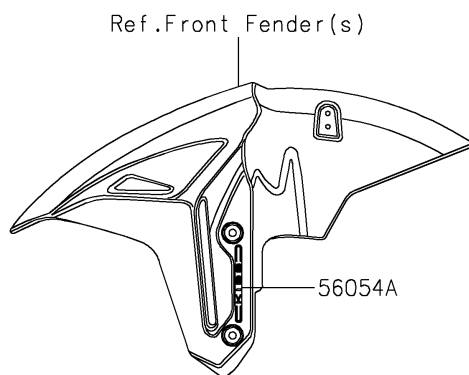
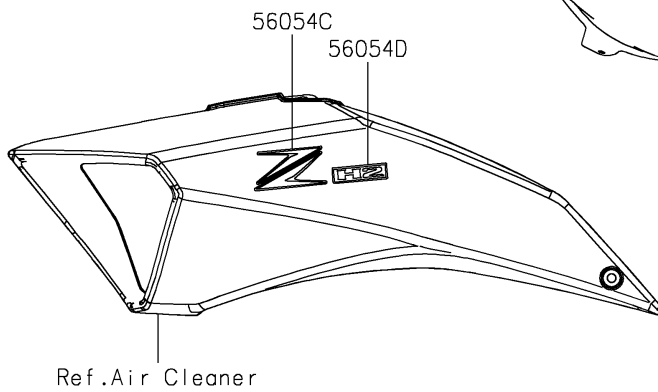
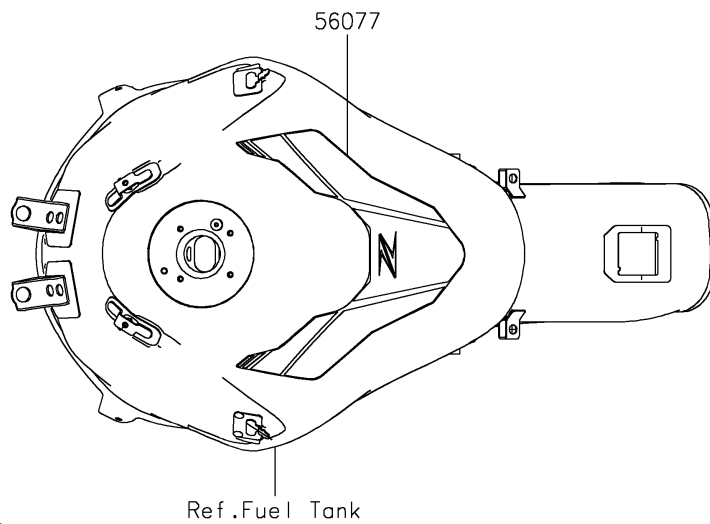
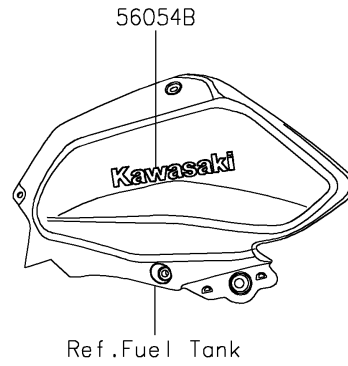
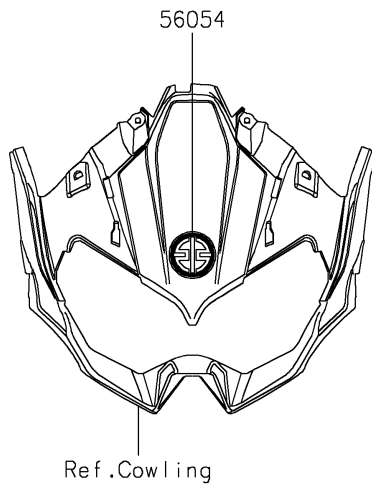


2026 Z H2 SE ABS

PARTS DIAGRAM

Decals(LTFNL)

F2861B



2026 Z H2 SE ABS

PARTS LIST Decals(LTFNL)

ITEM NAME	PART NUMBER	QUANTITY
-----------	-------------	----------
