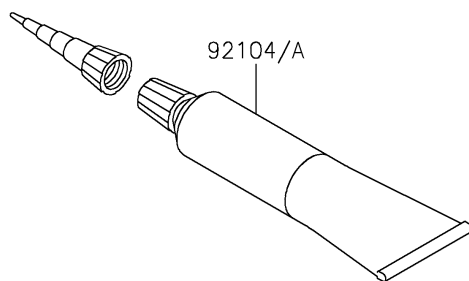
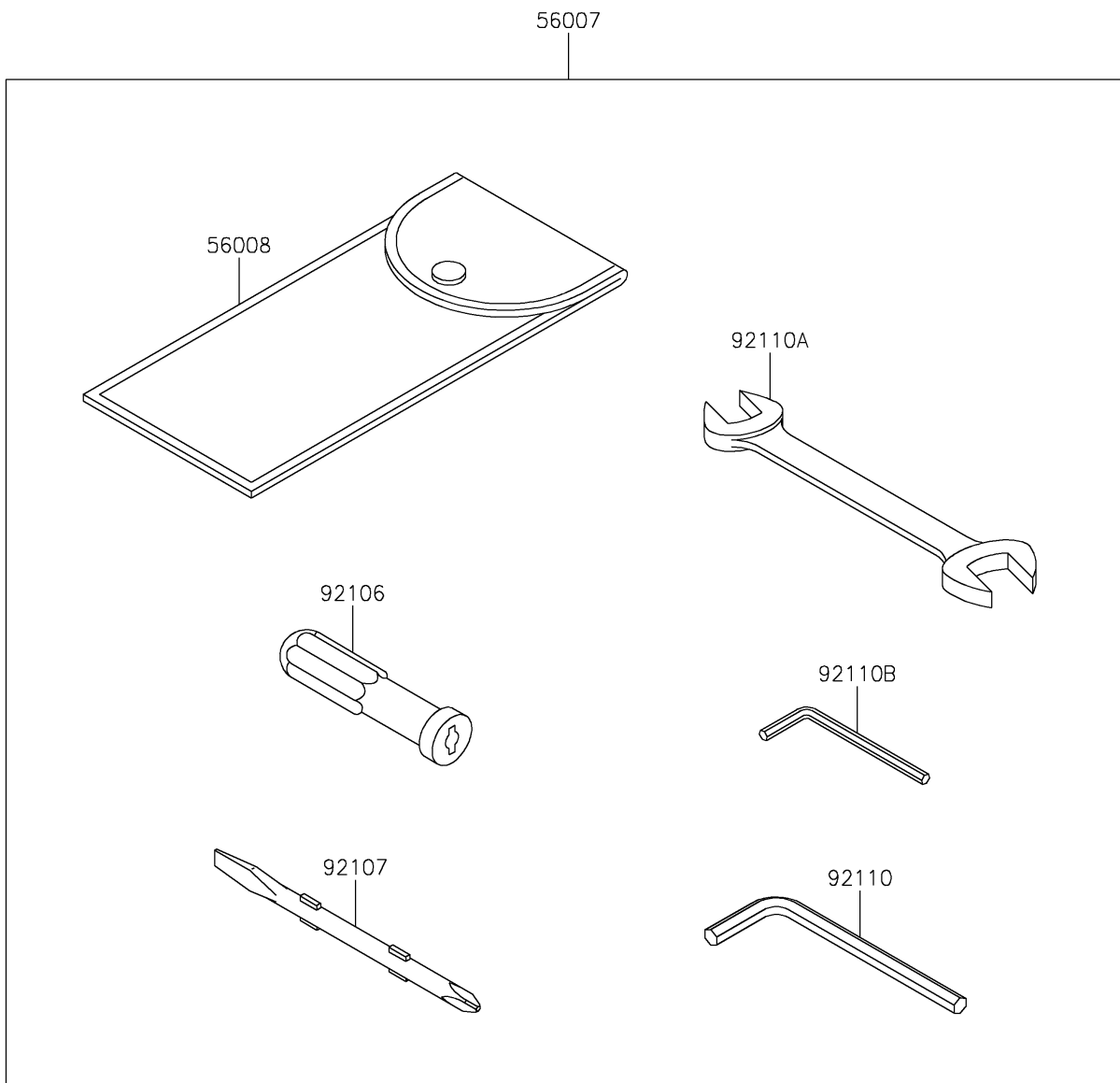


2026 Z H2 SE ABS

PARTS DIAGRAM

Owner's Tools

F2810



2026 Z H2 SE ABS

PARTS LIST

Owner's Tools

ITEM NAME

PART NUMBER

QUANTITY
