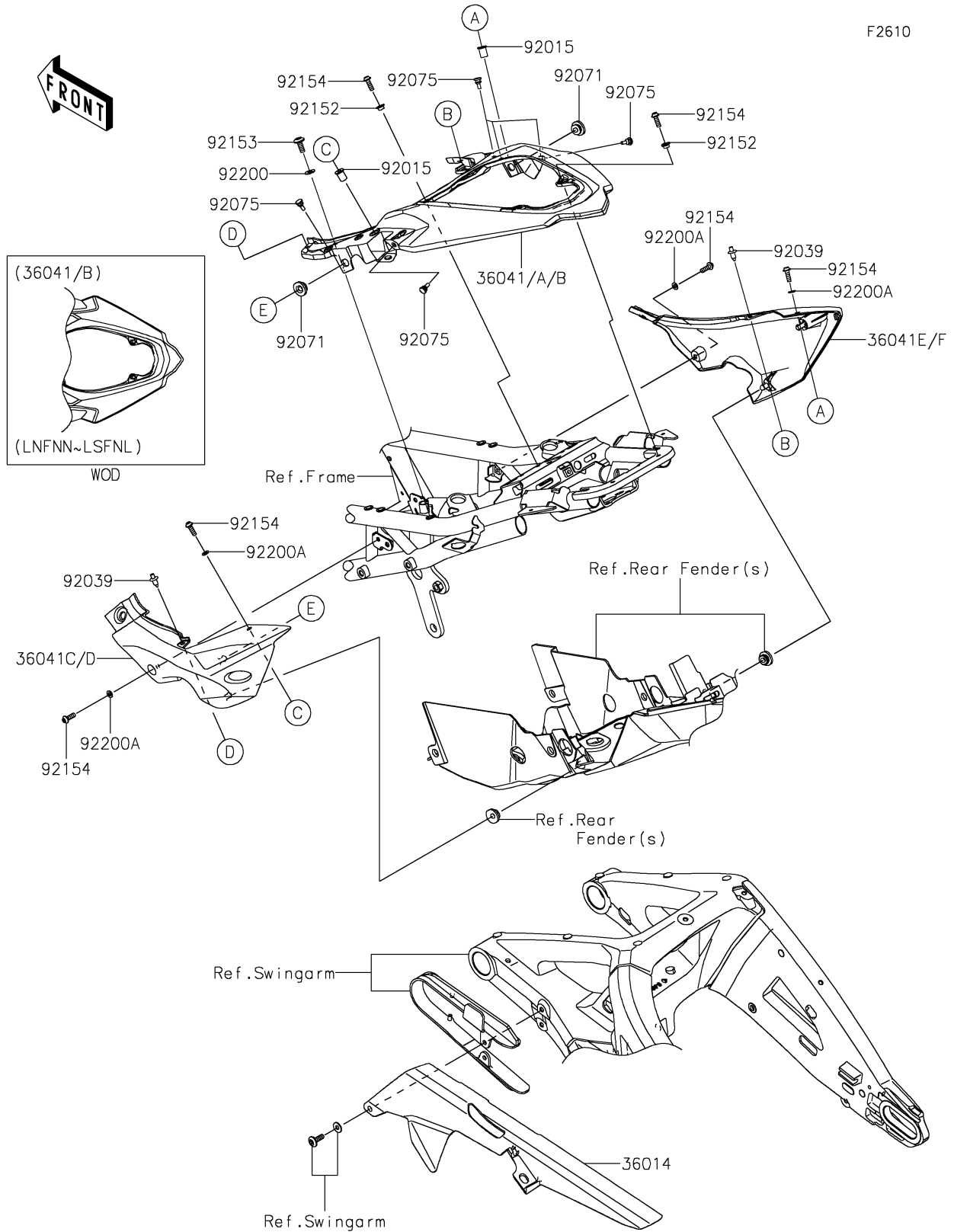


2024 Z H2 SE ABS

PARTS DIAGRAM

Side Covers/Chain Cover

F2610



2024 Z H2 SE ABS

PARTS LIST

Side Covers/Chain Cover

ITEM NAME	PART NUMBER	QUANTITY
CASE-CHAIN (Ref # 36014)	36014-0574	1
COVER-TAIL,CNT,EBONY (Ref # 36041B)	36041-0057-H8	1
COVER-TAIL,LH,M.M.G.GRAY (Ref # 36041D)	36041-0058-68P	1
COVER-TAIL,RH,M.M.G.GRAY (Ref # 36041F)	36041-0059-68P	1
NUT,WELL,5MM (Ref # 92015)	92015-1757	2
RIVET (Ref # 92039)	92039-0068	2
GROMMET,20X24X7.5 (Ref # 92071)	92071-0766	2
DAMPER,6X10X15 (Ref # 92075)	92075-1808	8
COLLAR,5.6X8X5 (Ref # 92152)	92152-2339	4
BOLT,SOCKET,6X16 (Ref # 92153)	92153-1526	2
BOLT,SOCKET,5X16 (Ref # 92154)	92154-0209	8
WASHER,6.5X14X1 (Ref # 92200)	92200-1388	2
WASHER,5.2X10X1.0 (Ref # 92200A)	92200-1820	4