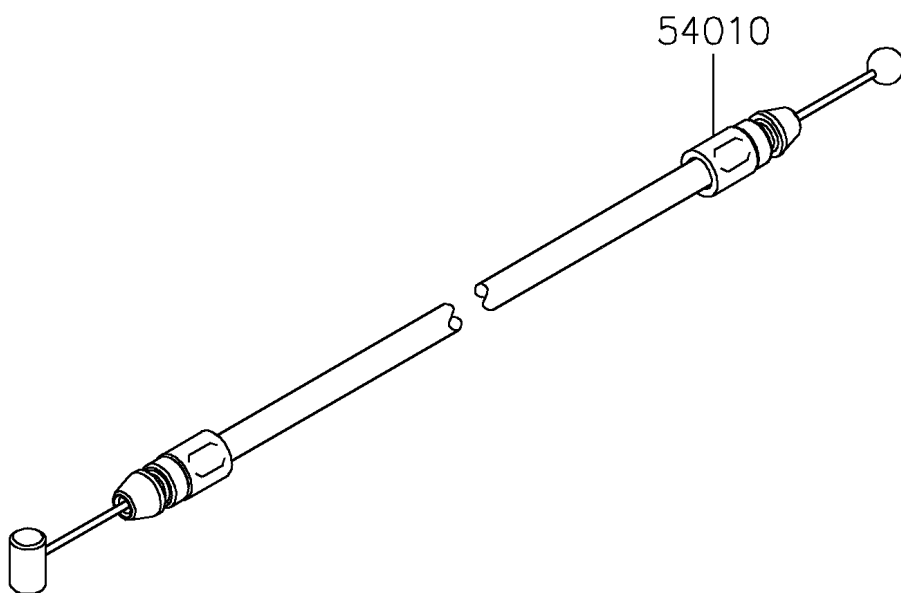


# 2026 Z H2 SE ABS

## PARTS DIAGRAM

### Cables

F2540



# 2026 Z H2 SE ABS

## PARTS LIST

### Cables

**ITEM NAME**

**PART NUMBER**

**QUANTITY**

---