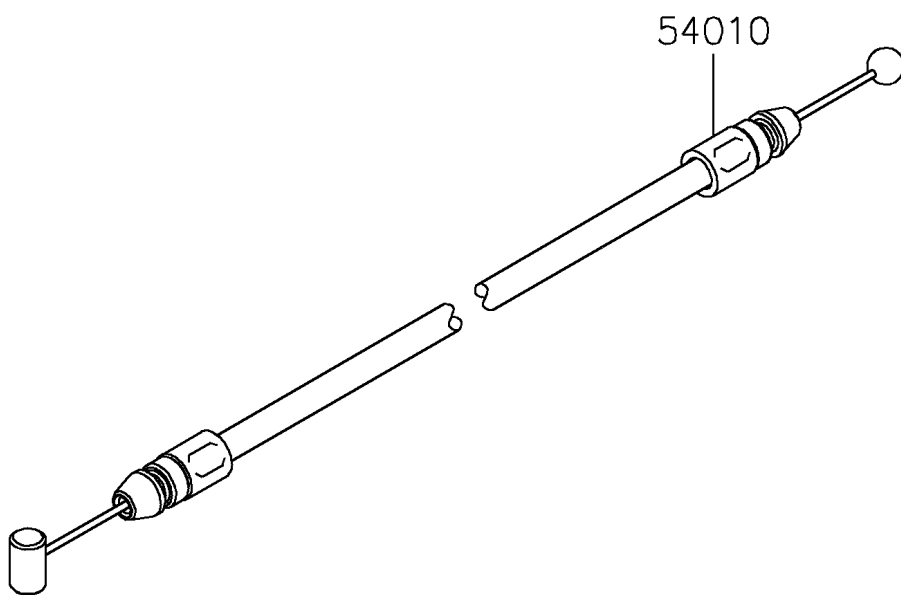


2024 Z H2 SE ABS

PARTS DIAGRAM

Cables

F2540



2024 Z H2 SE ABS

PARTS LIST

Cables



ITEM NAME	PART NUMBER	QUANTITY
-----------	-------------	----------
