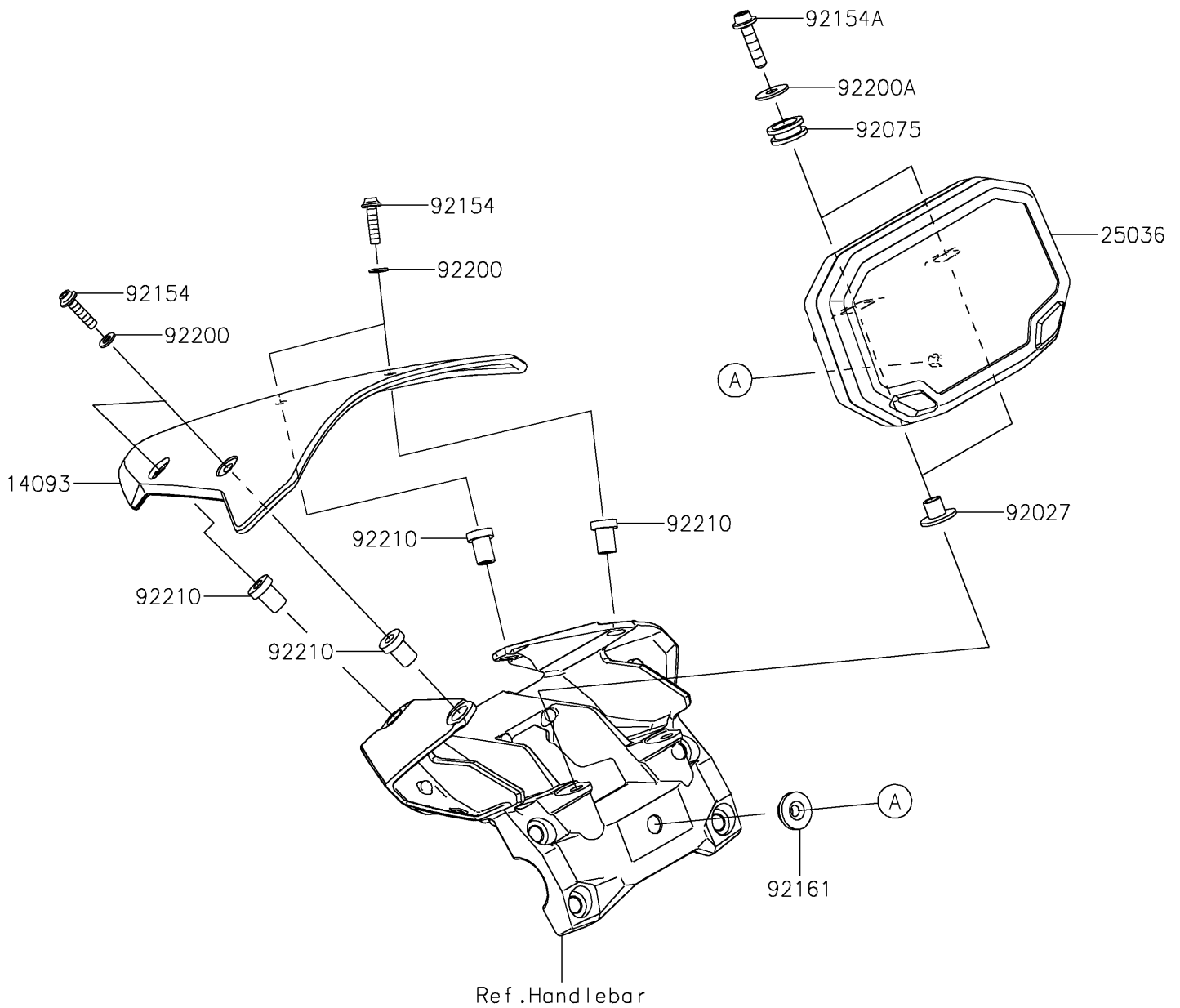


2026 Z H2 SE ABS

PARTS DIAGRAM

Meter(s)

F2530



2026 Z H2 SE ABS

PARTS LIST

Meter(s)

ITEM NAME

PART NUMBER

QUANTITY
