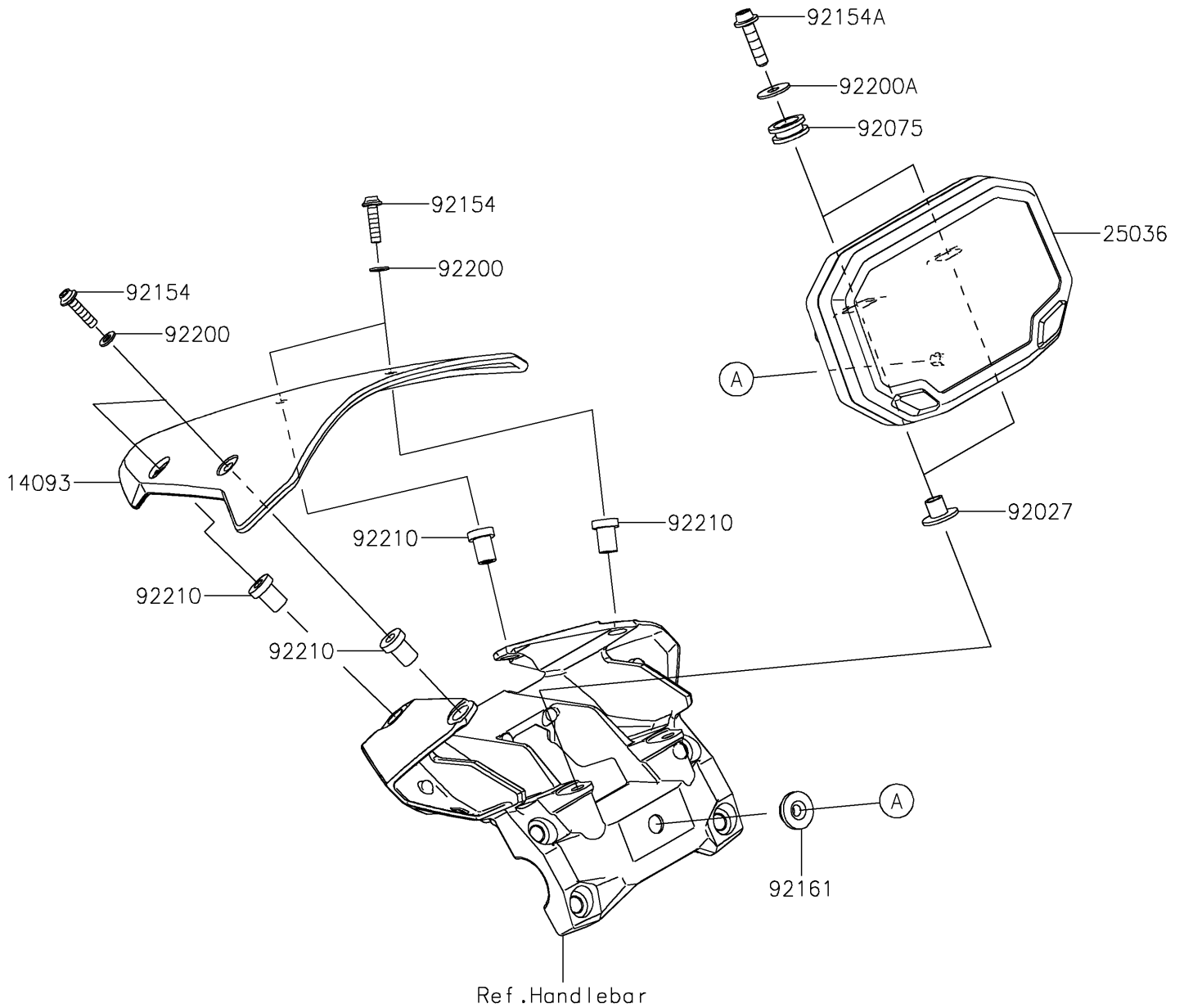


2023 Z H2 SE

PARTS DIAGRAM

Meter(s)

F2530



2023 Z H2 SE

PARTS LIST

Meter(s)

ITEM NAME	PART NUMBER	QUANTITY
COVER,METER (Ref # 14093)	14093-0970	1
METER-ASSY,TFT DISPLAY (Ref # 25036)	25036-0054	1
COLLAR,L=11.1 (Ref # 92027)	92027-194	2
DAMPER (Ref # 92075)	92075-1634	2
BOLT,SOCKET,5X20 (Ref # 92154)	92154-0919	4
BOLT,SOCKET,6X25 (Ref # 92154A)	92154-2826	2
DAMPER,6X20X7.5 (Ref # 92161)	92161-1937	1
WASHER,5.2X10X1.0 (Ref # 92200)	92200-1820	4
WASHER,6.2X18X1.2 (Ref # 92200A)	92200-1889	2
NUT,5MM (Ref # 92210)	92210-0001	4