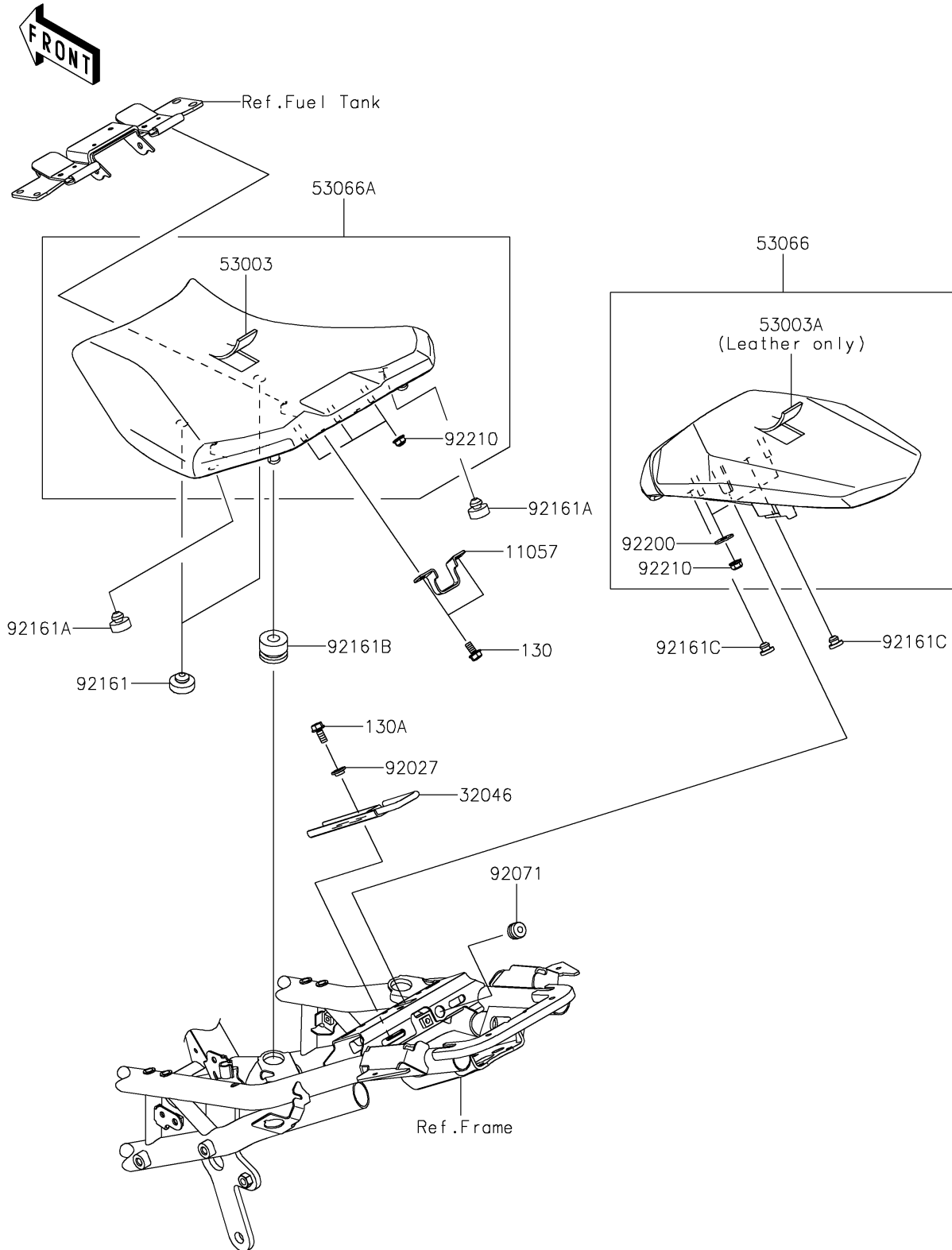


2026 Z H2 SE ABS

PARTS DIAGRAM

Seat

F2510



2026 Z H2 SE ABS

PARTS LIST

Seat



ITEM NAME	PART NUMBER	QUANTITY
-----------	-------------	----------
