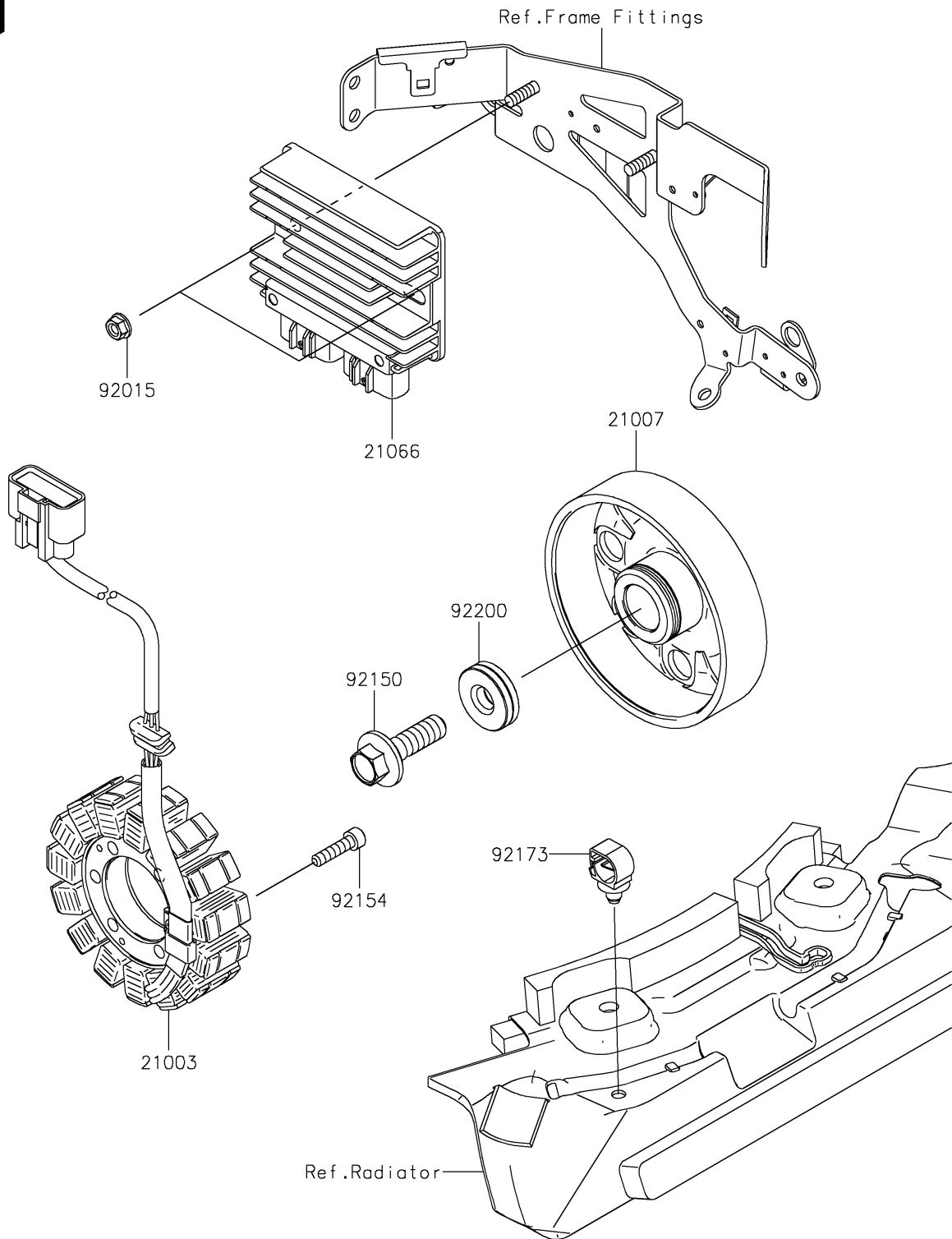


# 2026 Z H2 SE ABS

## PARTS DIAGRAM

### Generator

E1810



# 2026 Z H2 SE ABS

## PARTS LIST

### Generator

**ITEM NAME**

**PART NUMBER**

**QUANTITY**

---