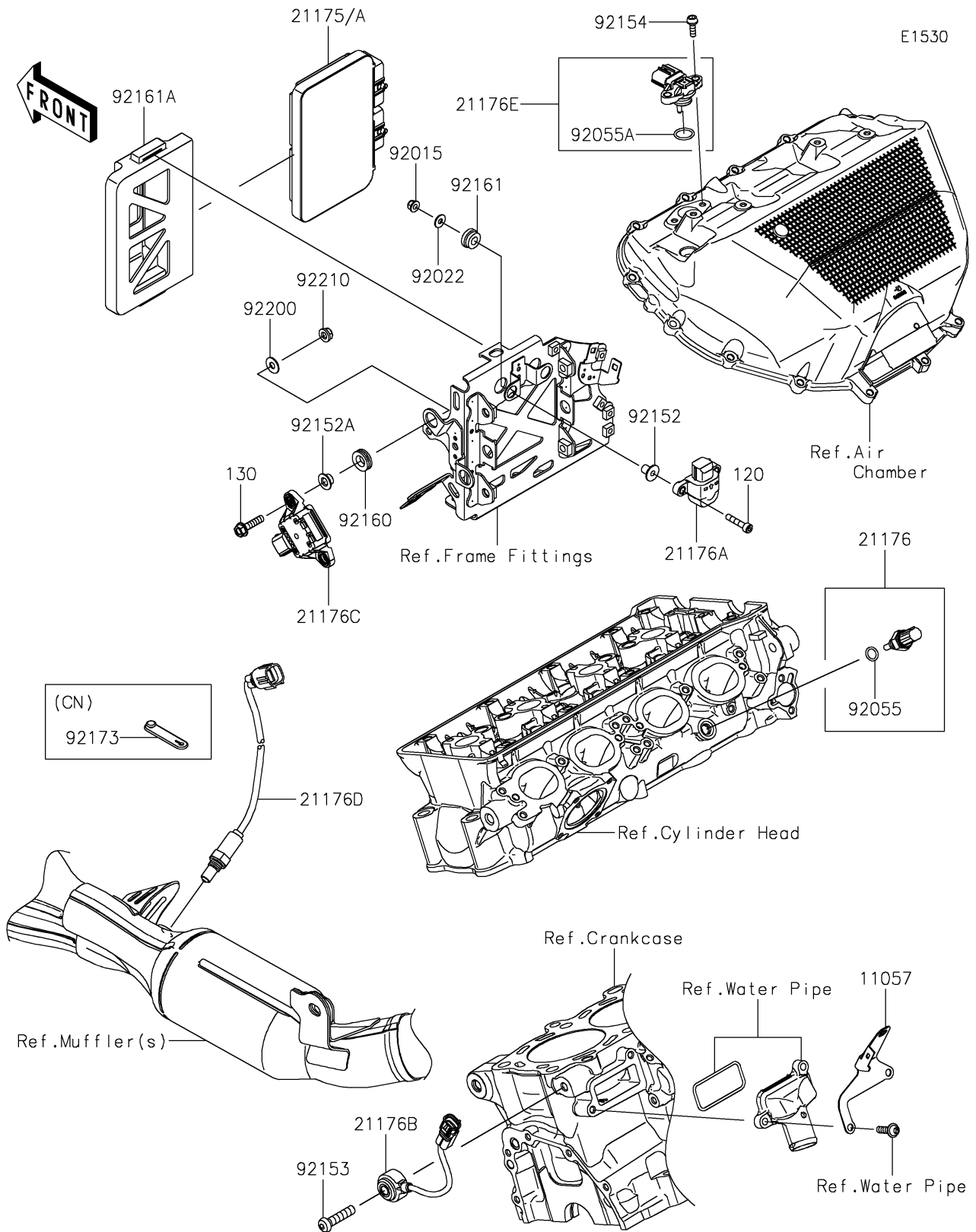


2026 Z H2 SE ABS

PARTS DIAGRAM

Fuel Injection



2026 Z H2 SE ABS

PARTS LIST

Fuel Injection

ITEM NAME

PART NUMBER

QUANTITY
