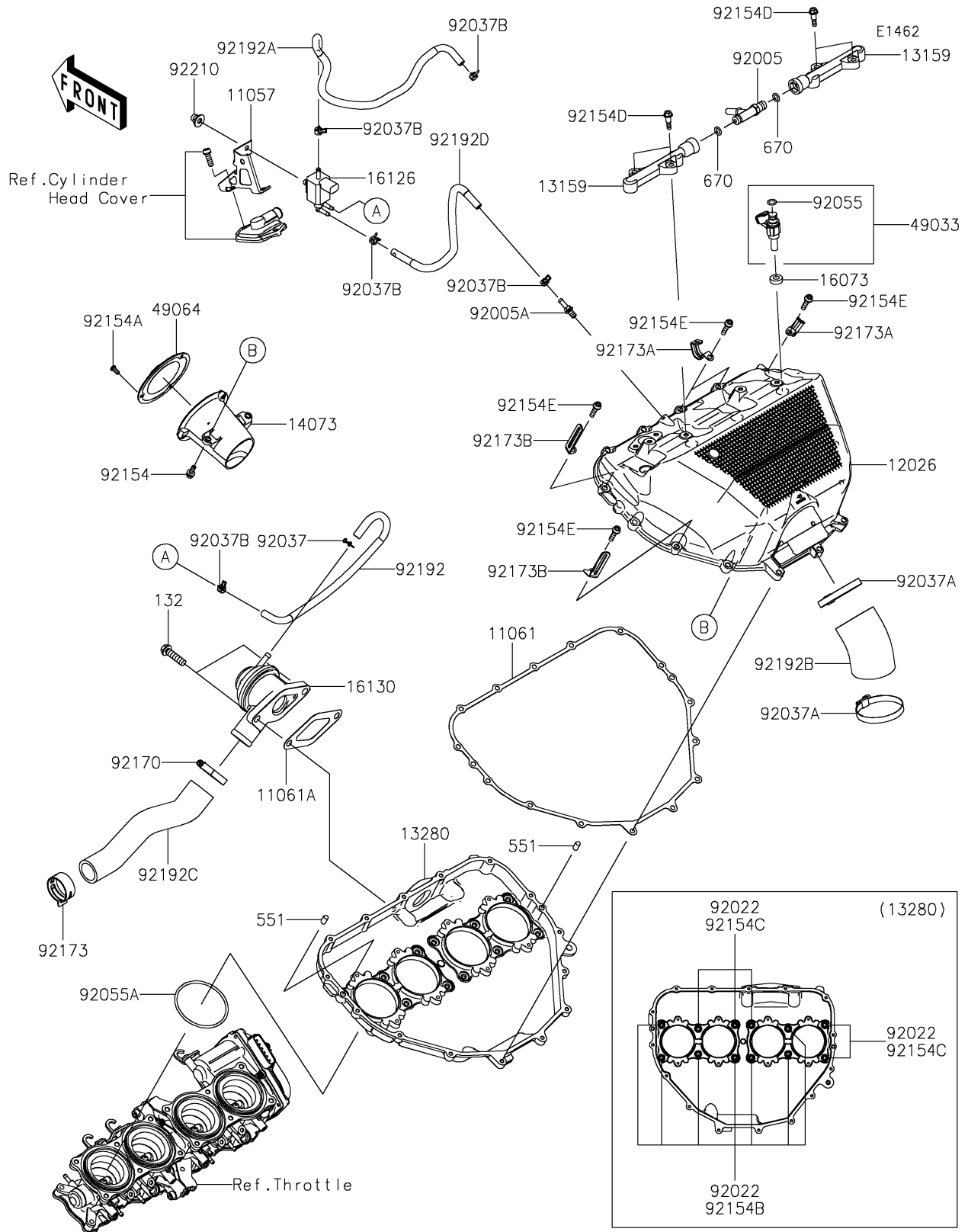


# 2026 Z H2 SE ABS

## PARTS DIAGRAM

### Air Chamber



# 2026 Z H2 SE ABS

## PARTS LIST

Air Chamber

**Kawasaki**

Let the Good Times Roll®

**ITEM NAME**

**PART NUMBER**

**QUANTITY**

---