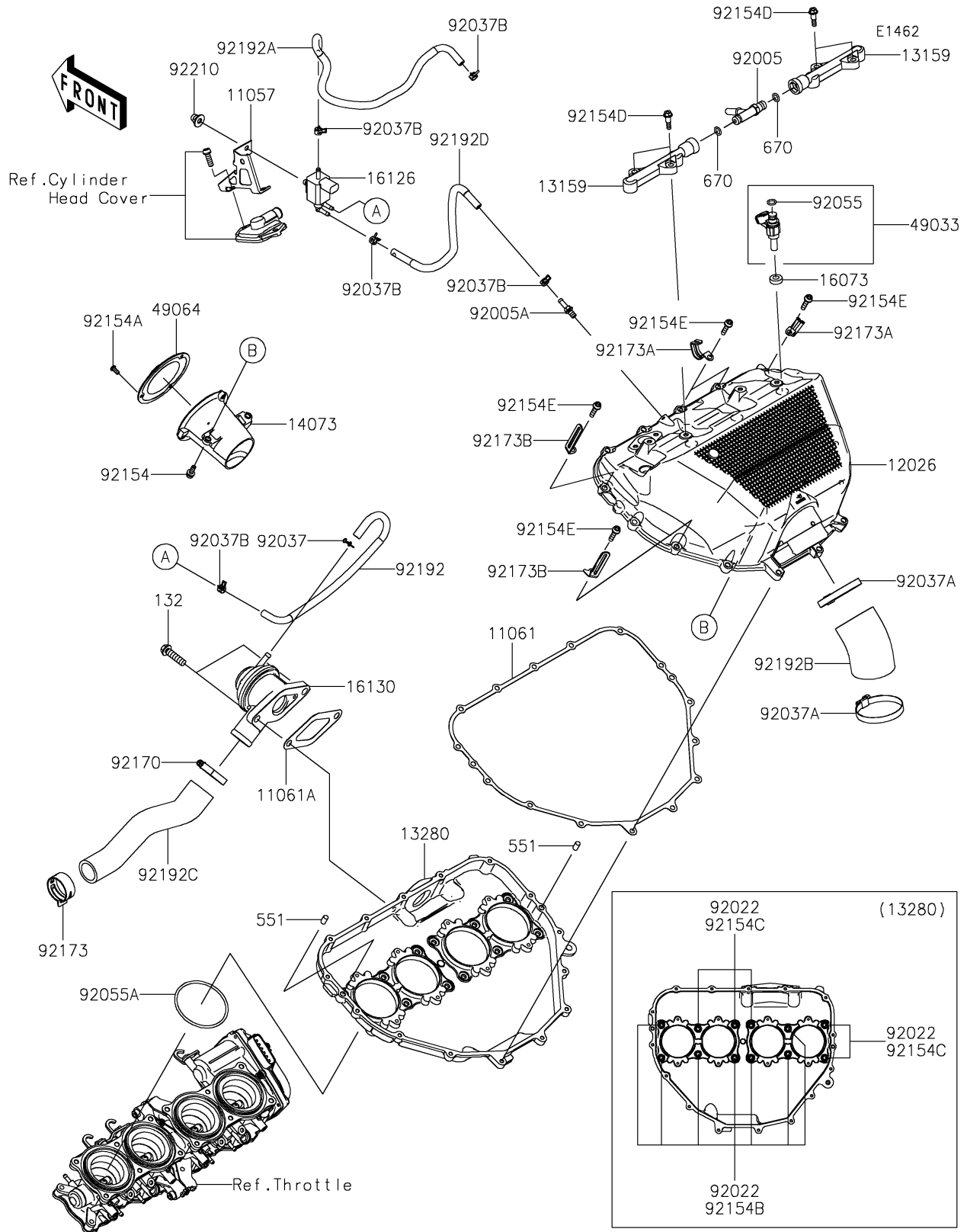


2024 Z H2 SE ABS

PARTS DIAGRAM

Air Chamber



2024 Z H2 SE ABS

PARTS LIST

Air Chamber



ITEM NAME	PART NUMBER	QUANTITY
-----------	-------------	----------