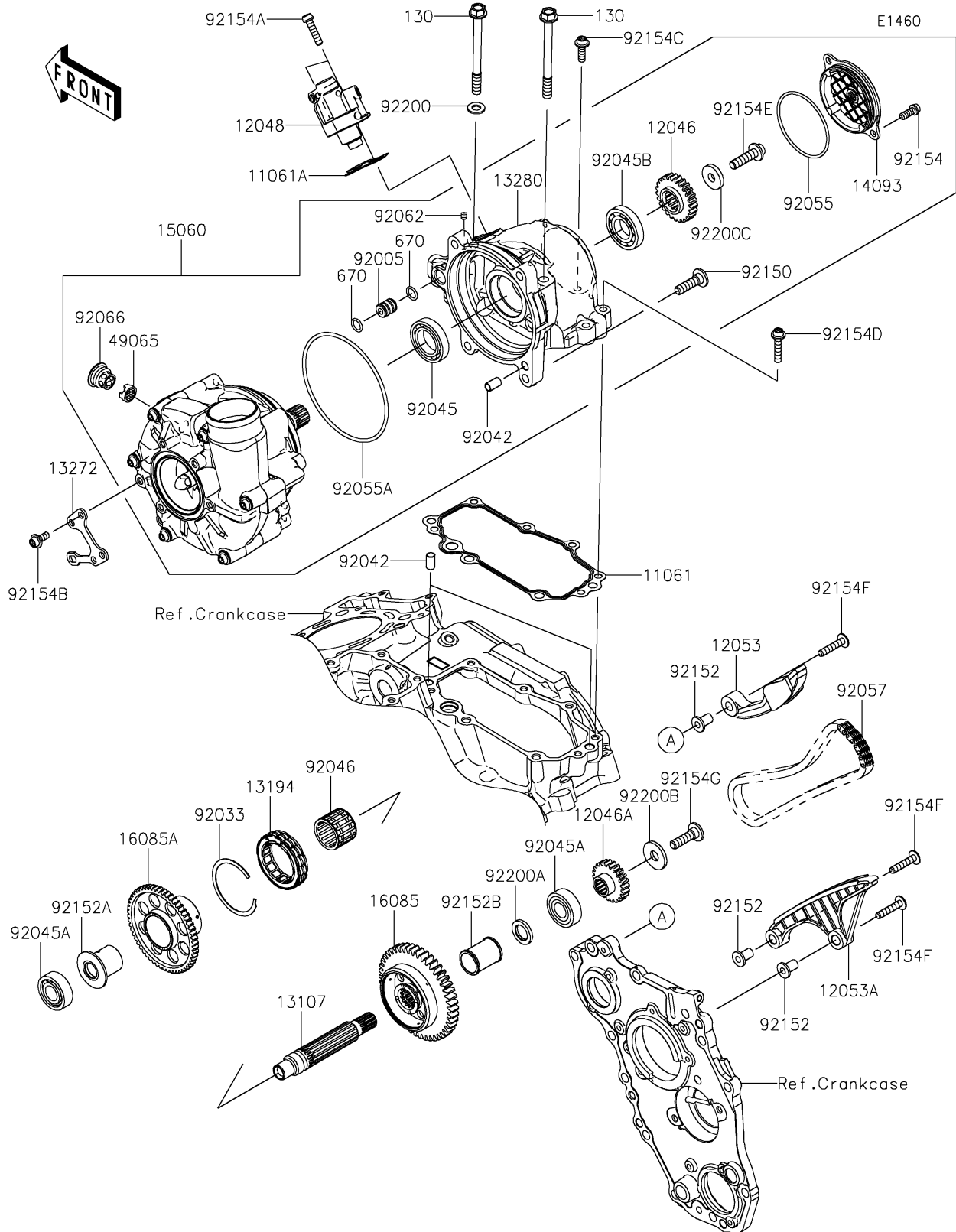


2026 Z H2 SE ABS

PARTS DIAGRAM

Super Charger



2026 Z H2 SE ABS

PARTS LIST

Super Charger



ITEM NAME	PART NUMBER	QUANTITY
-----------	-------------	----------
