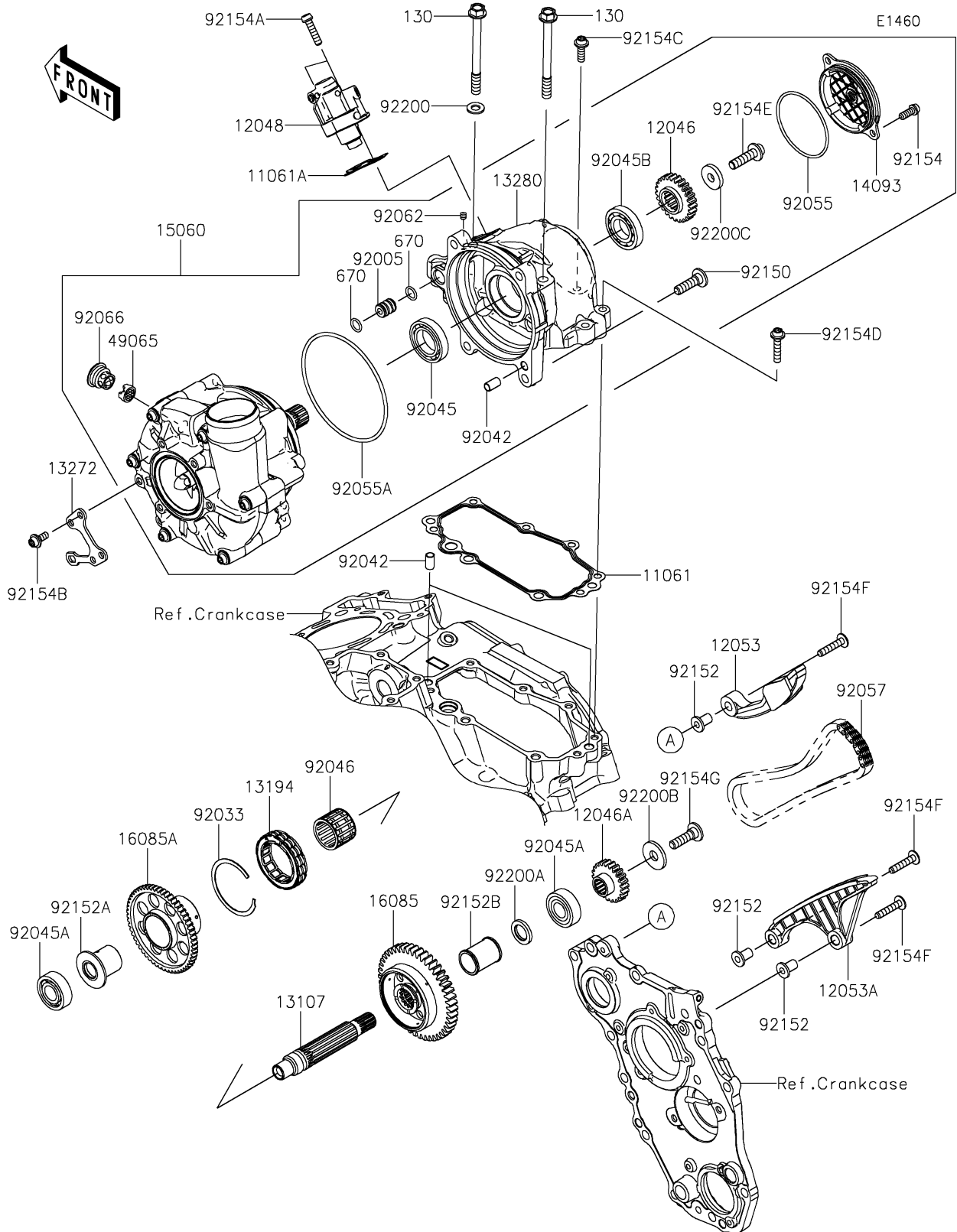


# 2024 Z H2 SE

## PARTS DIAGRAM

### Super Charger



# 2024 Z H2 SE

## PARTS LIST

Super Charger



ITEM NAME	PART NUMBER	QUANTITY
-----------	-------------	----------

---